

# RLACC

## Connector Adapter for E201

The RLACC connector adapter is a tool for connecting any readhead from the RoLin product family to an E201 communication interface or similar subsequent electronics. It allows easy connection between the RoLin 10-pin or 6-pin flex cable and the 9-pin D type connector.



NOTE: The image does not represent all variants.

## Related products



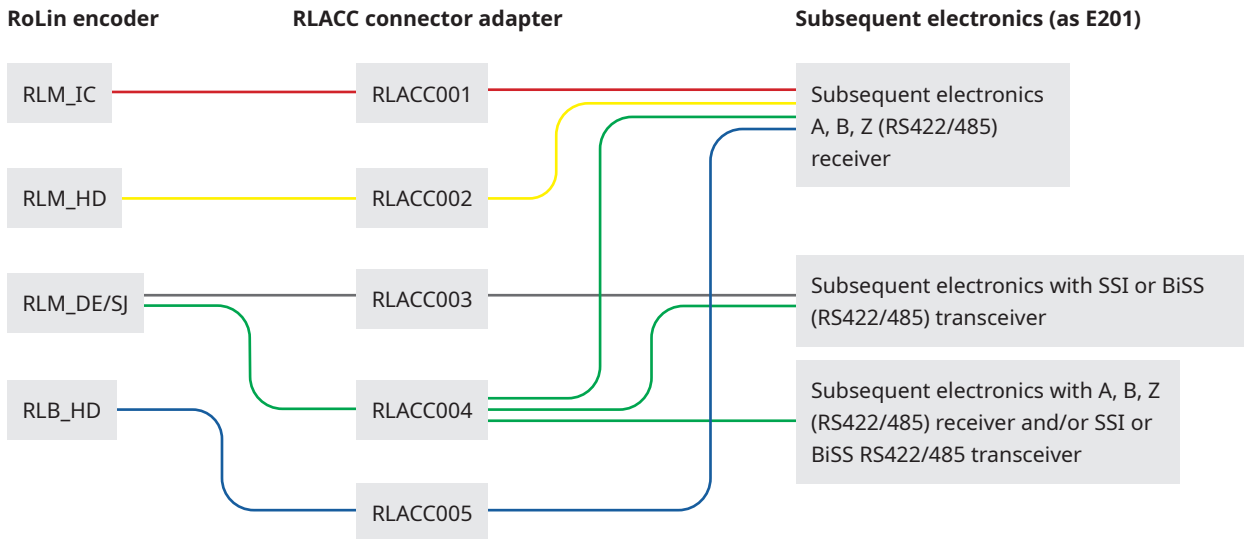
**E201** USB interface



**E201-9B** USB interface

## General information

The RLACC adapter is available in multiple versions and is pin compatible with RoLin rotary and linear encoders, depending on the signal type.

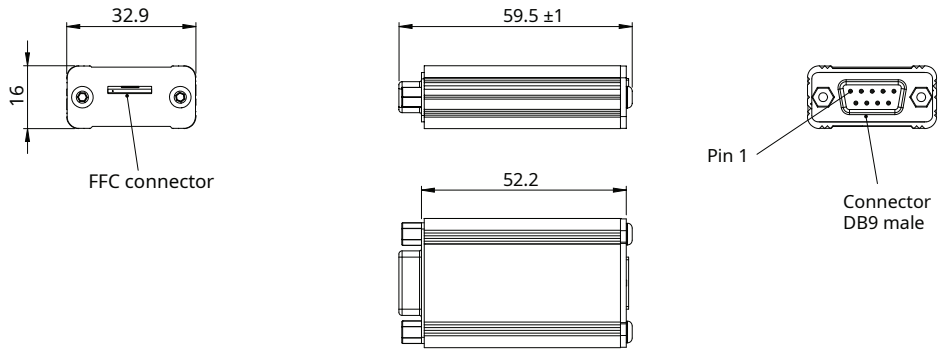


Adapter part number	Interface signals	Use with RoLin product	Description
RLACC001	A, B, Z RS422/485	<b>RLM_IC with FFC</b> Incremental	Adapter for connection to subsequent electronics with RS422/485 incremental (A, B, Z) interface (as E201-9Q interface)
RLACC002		<b>RLM_HD/DE/SJ with FFC</b> Incremental	
RLACC003	SSI/BiSS RS422/485	<b>RLM_DE/SJ with FFC</b> SSI	Adapter for connection to subsequent electronics with RS422/485 SSI/BiSS interface (as E201-9S interface)
RLACC004	A, B, Z and SSI/BiSS RS422/485	<b>RLM_DE/SJ with FFC</b> Incremental + SSI	Adapter for connection to subsequent electronics with RS422/485 SSI/BiSS and/or incremental interface (as E201-9S and/or 9Q interface)
RLACC005	A, B, Z RS422/485	<b>RLB_HD with FFC</b> Incremental	Adapter for connection to subsequent electronics with RS422/485 incremental (A, B, Z) interface (as E201-9Q interface)

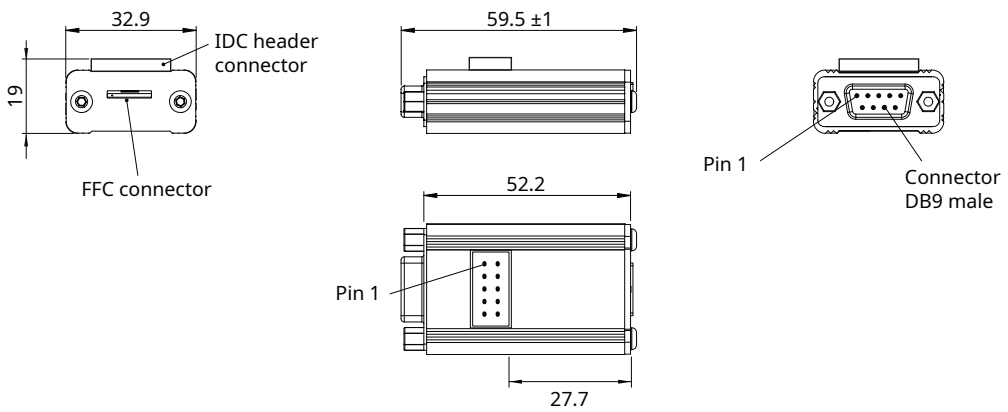
# Dimensions

Dimensions and tolerances are in mm.

## RLACC001, RLACC002, RLACC003 and RLACC005



## RLACC004

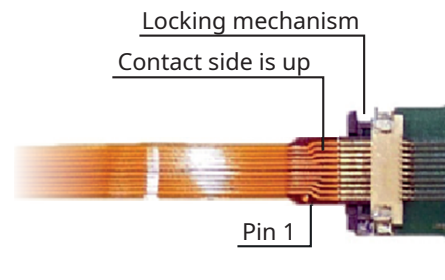


## Pinouts

### Input pin-out

FFC connector

Pin	Signal	
	RLM encoder	RLB encoder
1	Housing	A
2	B	B
3	Z	Z
4	A	GND (0 V)
5	GND (0 V)	V <sub>dd</sub> (5 V)
6	V <sub>dd</sub> (5 V)	Error
7	Error	Housing
8	MA	Housing
9	SLO	-
10	Housing	-

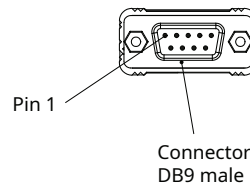


Release the gray locking mechanism before inserting the flex cable into the connector to avoid damaging the flex cable.

### Output pin-out

RLACC001, RLACC002, RLACC003 and RLACC005

Pin	Signal	
	Incremental	SSI/BiSS
1		NC
2	Z+	MA+
3	B+	MA-
4	A+	NC
5		V <sub>dd</sub> (5 V)
6	Z-	SLO+
7	B-	SLO-
8	A-	NC
9		GND (0 V)



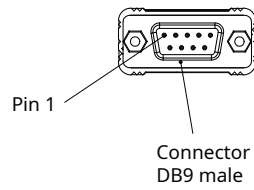
DB9 male connector is mounted to the housing using low head screws. To connect it to a standard D-sub connector\*, low head screws should be replaced with the enclosed Hex-Standoff screws.

\* Output connector must be connected to a device, which supports defined signals.

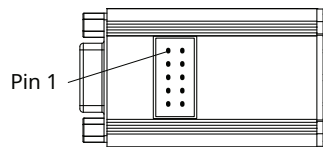
RLACC004

Pin	Signal	
	Incremental	SSI/BiSS
1	NC	GND (0 V)
2	Z+	V <sub>dd</sub> (5 V)
3	B+	MA+
4	A+	MA-
5	V <sub>dd</sub> (5 V)*	SLO+
6	Z-	SLO-
7	B-	-
8	A-	-
9	GND (0 V)	V <sub>dd</sub> (5 V)*
10	-	GND (0 V)

**Incremental connections**



**SSI/BiSS connections\*\***



\* If both outputs are used at the same time, one 5 V power supply needs to be disconnected.

\*\* For BiSS or SSI outputs an extra connector and a cable (not provided) are needed to connect them through the header connector. We suggest using a ribbon cable with IDC connector (eg. Amphenol T812 Series 2.54 mm IDC Socket).

## Head office

---

### RLS Merilna tehnika d. o. o.

Poslovna cona Žeje pri Komendi  
Pod vrbami 2  
SI-1218 Komenda  
Slovenia

T +386 1 5272100  
E [mail@rls.si](mailto:mail@rls.si)  
[www.rls.si](http://www.rls.si)

## Global support

---

Visit our [website](#) to contact your nearest sales representative.

### Document issues

Date	Issue	Page	Description
29. 3. 2016	1	-	New document
3. 4. 2023	2	4	Note added

This product is not designed or intended for use outside the environmental limitations and operating parameters expressly stated on the product's datasheet. Products are not designed or intended for use in medical, military, aerospace, automotive or oil & gas applications or any safety-critical applications where a failure of the product could cause severe environmental or property damage, personal injury or death. Any use in such applications must be specifically agreed to by seller in writing, and is subject to such additional terms as the seller may impose in its sole discretion. Use of products in such applications is at buyer's own risk, and buyer will indemnify and hold harmless seller and its affiliates against any liability, loss, damage or expense arising from such use. Information contained in this datasheet was derived from product testing under controlled laboratory conditions and data reported thereon is subject to the stated tolerances and variations, or if none are stated, then to tolerances and variations consistent with usual trade practices and testing methods. The product's performance outside of laboratory conditions, including when one or more operating parameters is at its maximum range, may not conform to the product's datasheet. Further, information in the product's datasheet does not reflect the performance of the product in any application, end-use or operating environment buyer or its customer may put the product to. Seller and its affiliates make no recommendation, warranty or representation as to the suitability of the product for buyer's application, use, end-product, process or combination with any other product or as to any results buyer or its customer might obtain in their use of the product. Buyer should use its own knowledge, judgment, expertise and testing in selecting the product for buyer's application, end-use and/or operating environment, and should not rely on any oral or written statement, representation, or samples made by seller or its affiliates for any purpose. EXCEPT FOR THE WARRANTIES EXPRESSLY SET FORTH IN THE SELLER'S TERMS AND CONDITIONS OF SALE, SELLER MAKES NO WARRANTY EXPRESS OR IMPLIED WITH RESPECT TO THE PRODUCT, INCLUDING ANY WARRANTY OF MERCHANTABILITY OR FITNESS FOR ANY PARTICULAR PURPOSE, WHICH ARE DISCLAIMED AND EXCLUDED. All sales are subject to seller's exclusive terms and conditions of sale which, where the seller is (a) RLS Merilna tehnika d.o.o., are available at <https://www.rls.si/eng/salesterms>, (b) Renishaw, Inc., are available at <https://www.renishaw.com/legal/en/-42186>, or (c) another person, are available on request, and in each case, are incorporated herein by reference, and are the exclusive terms of sale. No other terms and conditions apply. Buyer is not authorized to make any statements or representations that expand upon or extend the environmental limitations and operating parameters of the products, or which imply permitted usage outside of that expressly stated on the datasheet or agreed to in writing by seller.

RLS Merilna tehnika d. o. o. has made considerable effort to ensure the content of this document is correct at the date of publication but makes no warranties or representations regarding the content. RLS Merilna tehnika d. o. o. excludes liability, howsoever arising, for any inaccuracies in this document. © 2023 RLS d.o.o.