

MR

Bonded Radial Incremental Magnetic Rings

VARIOUS
SIZES AND
MOUNTING
OPTIONS

ROBUST
DESIGN

HIGH
OPERATING
SPEED

The robust RLS radial magnetic incremental rings consist of an elasto-ferrite layer firmly bonded on a stainless steel hub. The elasto-ferrite layer is magnetised with 2 mm long alternating magnetic poles, which form an incremental magnetic pattern.

A unique or distance-coded (DCRM) reference marks option can also be added to the incremental magnetic pattern. Radial magnetic rings offer reliable solutions for high performance applications.



Features and benefits

- ▶ Non-contact technology
- ▶ Compatible with RLS LM and RoLin family readheads
- ▶ High speed operation
- ▶ Easy mounting
- ▶ Different shaft diameters available
- ▶ Excellent resistance to dirt and dust
- ▶ Unique or periodic reference mark



ROBOTIC JOINTS



PAN/TILT POSITIONING



PRECISE GEAR BOX



MEDICAL



UAV

General information

The bonded radial incremental magnetic rings are a reliable solution for high performance applications. They can be installed with fasteners, by press-fitting or by gluing.

To assure safety and reliability at high speeds and temperatures, the rings can optionally be covered with a protective stainless steel foil. For maximum protection and use in particularly harsh environments, the cover foil can be fully welded to the ring. This protective layer also protects the elasto-ferrite from swarfs (e.g. metal, stone, glass, wood, etc.), chemical fluids (oils, coolants, grease, etc.) and minimises the influence of ageing (e.g. UV radiation).



Bonded radial ring



Bonded radial ring with cover foil



Bonded radial ring with welded cover foil (cross section U)

Selection guide

Ring	OD [mm]	OD with cover foil [mm]	ID [mm]	H [mm]	Pole length [mm]	Number of poles	Compatibility with readheads					
							LM10	LM13	RLB2	RLC2HD	RLC2IC	RLM2
MR031G	31 ±0.1	31.15 ±0.12	20 H7	8 ±0.1	2	50	Ri	Ri	No Ri	No Ri	Ri	Ri
MR031U	-	31.15 ±0.1	20 H7	10 ±0.1	2	50	Ri	Ri	No Ri	No Ri	Ri	Ri
MR040G	40 ±0.1	40.15 ±0.12	30 H7	8 ±0.1	2	64	Ri+DCRM	Ri+DCRM	No Ri	No Ri	Ri+DCRM	Ri+DCRM
MR040U	-	40.15 ±0.1	30 H7	10 ±0.1	2	64	Ri+DCRM	Ri+DCRM	No Ri	No Ri	Ri+DCRM	Ri+DCRM
MR047B	47.5 ±0.1	-	40 ^{+0.02} ₀ H7	5.5 ±0.1	2	76	-	-	No Ri	No Ri	Ri	Ri
MR050G	50.1 ±0.1	50.25 ±0.12	40 H7	8 ±0.1	2	80	Ri+DCRM	Ri+DCRM	No Ri	No Ri	Ri+DCRM	Ri+DCRM
MR050U	-	50.25 ±0.1	40 H7	10 ±0.1	2	80	Ri+DCRM	Ri+DCRM	No Ri	No Ri	Ri+DCRM	Ri+DCRM
MR057G	56.5 ±0.1	56.65 ±0.12	45 H7	8 ±0.1	2	90	Ri+DCRM	Ri+DCRM	No Ri	No Ri	Ri+DCRM	Ri+DCRM
MR063G	62.9 ±0.1	63.05 ±0.12	40 H7	8 ±0.1	2	100	Ri+DCRM	Ri+DCRM	No Ri	No Ri	Ri+DCRM	Ri+DCRM
MR063U	-	63.05 ±0.1	50 H7	10 ±0.1	2	100	Ri+DCRM	Ri+DCRM	No Ri	No Ri	Ri+DCRM	Ri+DCRM
			40 H7									
MR076G	75.6 ± 0.1	75.75 ± 0.12	60 H7	8 ± 0.1	2	120	Ri+DCRM	Ri+DCRM	No Ri	No Ri	Ri+DCRM	Ri+DCRM
MR081G	80.7 ±0.1	80.85 ±0.12	60 H7	8 ±0.1	2	128	Ri+DCRM	Ri+DCRM	No Ri	No Ri	Ri+DCRM	Ri+DCRM
MR081U	-	80.85 ±0.1	60 H7	10 ±0.1	2	128	Ri+DCRM	Ri+DCRM	No Ri	No Ri	Ri+DCRM	Ri+DCRM
MR101G	101 ±0.1	101.15 ±0.12	85 H7	8 ±0.1	2	160	Ri+DCRM	Ri+DCRM	No Ri	No Ri	Ri+DCRM	Ri+DCRM
MR101U	-	101.15 ±0.1	85 H7	10 ±0.1	2	160	Ri+DCRM	Ri+DCRM	No Ri	No Ri	Ri+DCRM	Ri+DCRM
MR114U	-	113.95 ±0.1	95 H7	10 ±0.1	2	180	Ri+DCRM	Ri+DCRM	No Ri	No Ri	Ri+DCRM	Ri+DCRM
MR123G	122.7 ±0.1	122.85 ±0.12	90 H7	8 ±0.1	2	194	Ri	Ri	No Ri	No Ri	Ri	Ri
MR127G	126.5 ±0.1	126.65 ±0.12	100 H7	8 ±0.1	2	200	Ri+DCRM	Ri+DCRM	No Ri	No Ri	Ri+DCRM	Ri+DCRM
MR127U	-	126.65 ±0.1	100 H7	10 ±0.1	2	200	Ri+DCRM	Ri+DCRM	No Ri	No Ri	Ri+DCRM	Ri+DCRM
MR162G	162.2 ±0.1	162.35 ±0.12	143 H7	8 ±0.1	2	256	Ri+DCRM	Ri+DCRM	No Ri	No Ri	Ri+DCRM	Ri+DCRM
MR162U	-	162.35 ±0.1	143 H7	10 ±0.1	2	256	Ri+DCRM	Ri+DCRM	No Ri	No Ri	Ri+DCRM	Ri+DCRM
MR325E	325.1 ±0.2	-	280 G7	10 ±0.1	2	512	Ri+DCRM	Ri+DCRM	No Ri	No Ri	Ri+DCRM	Ri+DCRM
			240 G7									

Ri - Unique reference mark or only incremental track available
 No Ri - No reference mark option, only incremental track available
 Ri+DCRM - Unique, distance-coded reference mark or only incremental track available

For readhead specifications see data sheets available at **RLS media center**.

Storage and handling

Storage temperature



-40 °C to +85 °C

Operating temperature



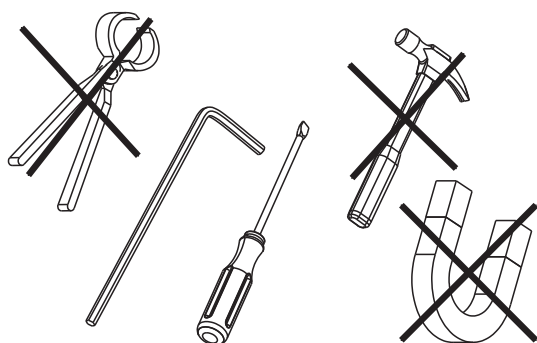
-40 °C to +85 °C

Humidity



High resistance to humidity

For higher operating temperatures **contact RLS**.



The magnetic ring should not be exposed to magnetic field densities higher than 25 mT on its surface, as this can damage the ring.

HANDLE WITH CARE

The use of industrial tools during installation or exposure to strong magnets such as a magnetic base is not recommended as it carries the risk of damaging parts of the system which as a result might not perform in accordance with specifications.

Use of tools such as drift, punch or similar are expressly forbidden and should not be used during installation to adjust run-out.

Improper assembly of the readhead and ring may impair function of the magnetic encoder system and lead to increased wear or damage to the system.

- All permissible distance and angle tolerances must be strictly complied with.
- The readhead may not come into contact with the ring over the entire revolution. The contact between the readhead and ring must also be avoided, to prevent ring from being damaged.
- Induction heating of the ring is expressly forbidden due to the possible damage of the magnetization pattern.
- The product should remain in the original packaging until ready for installation.

Chemical resistance

The use of alcohol for cleaning is considered safe, but it is not allowed to immerse the ring in alcohol. Furthermore, the ring surface print and drawn reference mark may disappear if the ring is not carefully cleaned. This does not apply for bonded radial ring with welded cover foil.

For more information on chemical resistance **contact RLS**.

Packaging

All MR radial rings except MR047B are supplied individually packaged in an antistatic box. Less than 20 off units of MR047B also come individually packed.

Part	Tray size	Box size
MR047B	8 units per tray	12 trays per box

Accuracy of ring encoder systems

The accuracy of the ring encoder measurement is influenced by **encoder accuracy errors** and **installation-dependent errors**. In order to evaluate the total accuracy, each of the significant errors must be considered. Fig. 1 shows a typical accuracy error plot with marked particular influences.

Encoder accuracy errors

System error consists of a magnetisation error, crosstalk and SDE.

System error [°]		System error [°]		System error [°]	
Ring	Over the entire RH*	Ring	Over the entire RH	Ring	Over the entire RH
MR031	±0.16	MR057	±0.09	MR114	±0.05
MR040	±0.13	MR063	±0.08	MR123	±0.04
MR047	±0.11	MR076	±0.07	MR127	±0.04
MR050	±0.10	MR081	±0.06	MR162	±0.03
		MR0101	±0.05	MR325	±0.03

*RH - Ride height

Magnetisation error

The magnetisation error is caused by imperfections in the elasto-ferrite material and possible deviations resulting from the magnetisation process. This error does not include eccentricity of mounting of the ring.

The following factors influence the result:

- the magnetic inhomogeneity of the elasto-ferrite layer,
- the ring installation tolerances during the magnetisation process,
- the measurement uncertainty of the magnetisation system during manufacturing process
- the quality of the magnetisation system.

The magnetisation accuracy A_M can be calculated by the following formula:

$$A_M = \pm \frac{4.6}{D}$$

where D is the outer ring diameter in [mm].

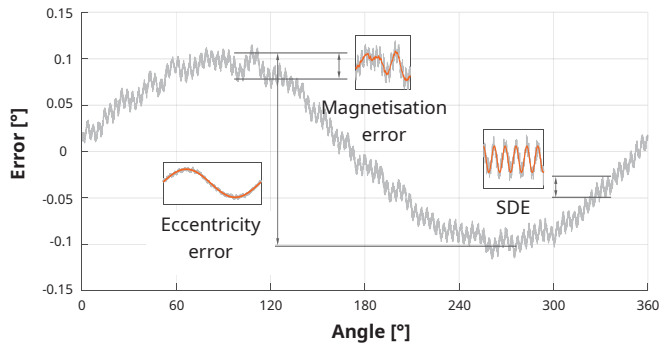


Fig. 1. Typical accuracy error plot.

Fig. 1 to Fig. 4 are for representation purpose only.

D [mm]	A_M [°]
20	±0.229
40	±0.115
60	±0.076

Crosstalk

Crosstalk is an undesirable effect of reference mark magnetisation on the incremental track magnetisation, which leads to accuracy peaks. It depends on both the ride height and the lateral offset.

An example of crosstalk is shown in Fig. 2.

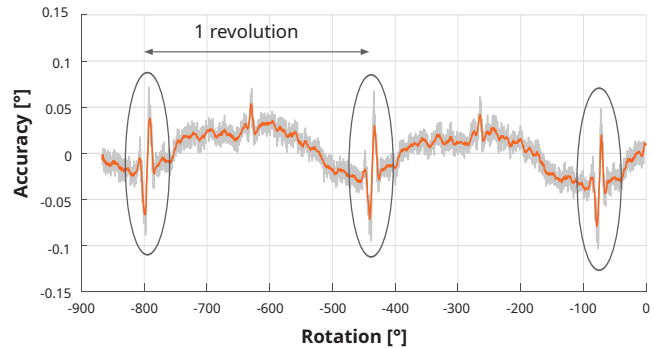


Fig. 2. Crosstalk representation. The crosstalk (Ri magnetisation) is circled.

Sub divisional error (SDE) or interpolation error

The sub divisional or interpolation error is a periodical accuracy error. It is influenced by the following factors:

- the length of poles,
- the homogeneity and cycle definition of magnetic poles,
- the sensing distance (ride height) of the installed readhead,
- the quality of the signal processing,
- the characteristics of the internal AMR sensor.

The SDE leads to speed ripples in applications where the encoder is used as speed feedback, e.g. in speed control loops. For radial rings, SDE is strongly influenced by ride height.

The maximum SDE at optimal sensing distance can be calculated by the following formula:

$$SDE = \pm \frac{0.58 \times K}{OD}$$

where:

SDE is Sub divisional error (°)

OD is the outer ring diameter in (mm)

K = 1 for magnetic rings with outer diameter >30

K = 2 for magnetic rings with outer diameter <30

OD (mm)	SDE (°)
20	±0.029
40	±0.014
60	±0.009

Hysteresis

Hysteresis is the difference in result of measuring the same point when approached from different directions.

It is known that ferromagnetic materials maintain their magnetised state in response to external fields, trying to change their direction.

The hysteresis in encoder systems depends on the strength of the magnetic field. A stronger magnetic field leads to a smaller hysteresis and vice versa. Therefore the hysteresis is strongly influenced by the ride height at which the readhead is installed (Fig. 3).

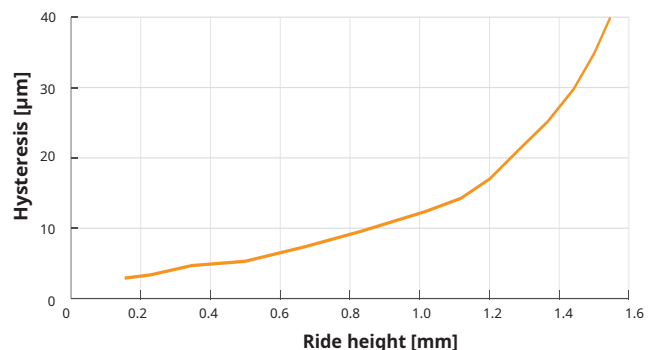


Fig. 3. Hysteresis vs. ride height (for encoder systems with 2 mm pole length).

Installation-dependent errors

Installation and adjustment of the ring and the readhead, in addition to the given encoder-specific error, normally have a significant effect on the overall accuracy of a system. Of particular importance are the installation eccentricity and the effect of deformations resulting from the ring installation.

Installation eccentricity

Eccentricity can be caused by the misalignment of the ring's center towards the rotational axis, as can be seen on Fig. 4. The error caused by eccentricity can be calculated by the following formula

$$E_{\text{accuracy}} = \pm 0.115 \frac{e}{D}$$

where E_{accuracy} is eccentricity error in [°], e is misalignment of ring's center towards the rotational axis in [μm] and D is the outer ring diameter in [mm].

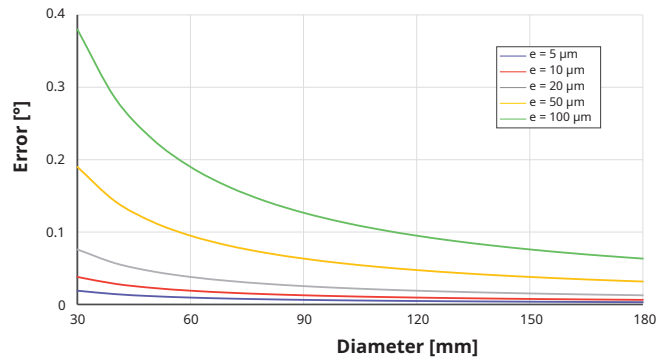


Fig. 4. Influence of installation eccentricity on accuracy.

Deformations of the ring during installation

By installing a ring to a non-ideally circular shaft, possible deformations can occur. These can have a significant influence on the system accuracy error.

Maximum speed table

Below are maximum speed values limited by the mechanical characteristics of the ring. For electrical characteristics please use [Ring speed calculator](#). For higher speed [contact RLS](#).

Ring	Option B, E and G (no cover foil)	Option G (with cover foil)	Option U (with welded cover foil)
MR031	10,000	40,000	55,000
MR040	9,000	30,000	50,000
MR047	8,500	-	-
MR050	8,300	24,700	42,000
MR057	7,437	21,700	-
MR063	6,750	19,600	34,000
MR076	5,600	16,300	-
MR081	5,232	15,300	26,000
MR101	4,181	12,200	21,000
MR114	-	-	18,000
MR123	3,444	10,100	-
MR127	3,200	9,700	16,000
MR162	2,598	7,600	13,000
MR325	1,000	-	-

Speed is in RPM.

Technical specifications

Mechanical data

Material of magnetic layer	NBR + ferrite
Hub thermal expansion coefficient (CTE)	$11.2 \times 10^{-6} \text{ K}^{-1}$

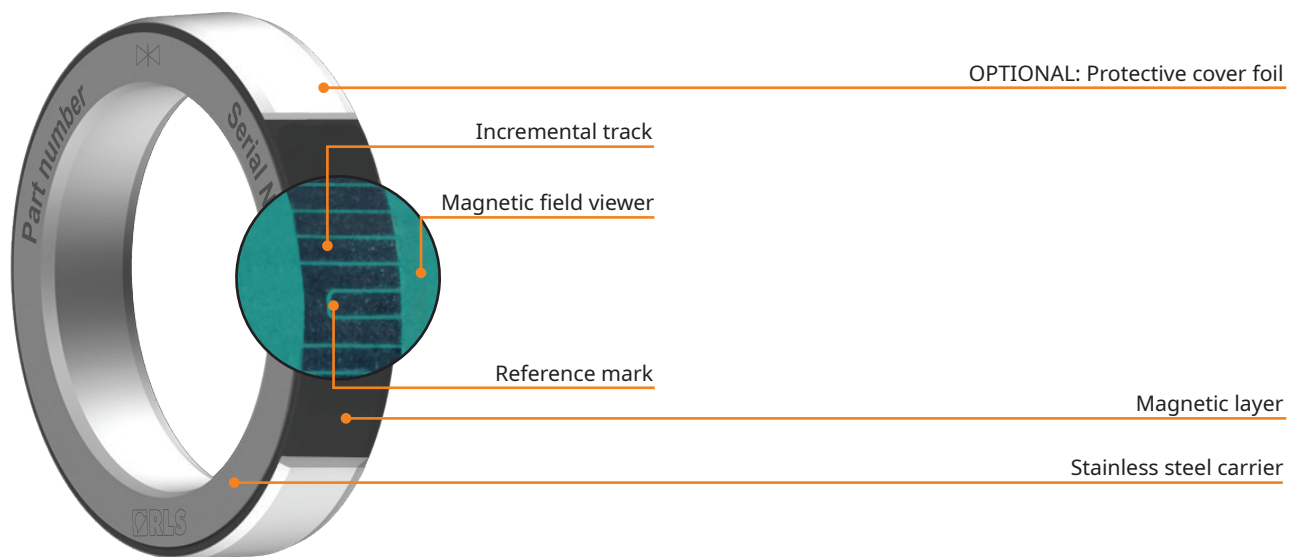
Environmental data

Storage and operating temperature	-40 °C to +85 °C For higher operating temperatures contact RLS.
-----------------------------------	---

Magnetic ring design

Structure, appearance and markings

The position of the magnetised reference mark is always the same, on the engraved side of the ring as shown in the figure below.



The shape of the reference mark may vary. The image is for representation purposes only.

Magnetic ring surface markings (engraved)

All magnetic ring markings, except MR047B include serial number, QR code, logo, part number and reference mark. They are engraved on the hub. The reference mark engraving can deviate from the actual position of the reference mark magnetization for $\pm 5^\circ$. The engraving is for orientation purposes only.



YD1B70

Reference mark sign

Serial number example
- unique combination
of six letters and digits

Reference mark

Unique reference mark

The readhead must be ordered with reference mark option A (see corresponding readhead data sheet). The magnetic ring must be ordered with reference mark option A (see **Part numbering**).

The shape and position of the magnetised reference mark are critical so this option is only available as factory order.

Distance coded reference mark (DCRM)

The readhead should be ordered with reference mark option A. The distance coded reference mark option provides multiple reference marks that are individually spaced according to specific mathematical algorithm. Absolute position is calculated after traversing 2 successive reference marks. Maximum length and minimum traverse depend on basic spacing (K) between reference marks. The magnetic ring must be ordered with reference mark option D (see **Part numbering**).

For more references on ring [contact RLS](#).

MR040G / MR040U	MR050G / MR050U	MR057G	MR063G/MR063U	MR076G	MR081G/MR081U	MR101G/MR101U	MR114U	MR127G / MR127U	MR162G / MR162U	MR325E
2 mm pole length	2 mm pole length	2 mm pole length	2 mm pole length	2 mm pole length	2 mm pole length	2 mm pole length	2 mm pole length	2 mm pole length	2 mm pole length	2 mm pole length
K = 32 [°]	K = 40 [°]	K = 36 [°]	K = 40 [°]	K = 60 [°]	K = 64 [°]	K = 40 [°]	K = 60 [°]	K = 80 [°]	K = 64 [°]	K = 128 [°]
360	360	360	360	360	360	360	360	360	360	360
309.38	310	320	320	312	313	335	328	322	336	336
270	270	288	288	270	270	315	300	288	315	315
213.75	216	244	245	219	219	288	266	248	290	291
180	180	216	216	180	180	270	240	217	270	270
118.13	121.5	168	169	126	127	241	204	175	243	245
90	90	144	144	90	90	225	180	144	225	225
22.5	27	92	94	33	34	194	142	101	197	199
0	0	72	72	0	0	180	120	72	180	180
-	-	16	18	-	-	146	80	27	150	153
-	-	0	0	-	-	135	60	0	135	135
-	-	-	-	-	-	99	18	-	104	108
-	-	-	-	-	-	90	0	-	90	90
-	-	-	-	-	-	52	-	-	58	62
-	-	-	-	-	-	45	-	-	45	45
-	-	-	-	-	-	0	-	-	11	16
-	-	-	-	-	-	-	-	-	0	0

Installation instructions



Machine the mounting shaft according to the dimensions given in the table below. Values in orange represent option with cover foil.

Radial ring	Outer diameter - OD [mm]		Inner diameter - ID [mm]		Shaft diameter (clearance fit installation, fasteners, gluing) - Ds		Shaft outer diameter (press-fit) - Dspd		Mass [g]	System error [°]	Moment of inertia [kgmm ²]
MR0031G	31 / 31.15	+0.1 / +0.12 -0.1 / -0.12	20 H7	+0.021 0	20 g6	-0.007 -0.02	20 r6	+0.041 +0.028	24	± 0.16	3.9
MR031U	31.15	+0.1 -0.1	20 H7	+0.021 0	20 g6	-0.007 -0.02	20 r6	+0.041 +0.028	31	± 0.16	5.3
MR040G	40 / 40.15	+0.1 / +0.12 -0.1 / -0.12	30 H7	+0.021 0	30 g6	-0.007 -0.02	30 r6	+0.041 +0.028	30	± 0.13	8.9
MR040U	40.15	+0.1 -0.1	30 H7	+0.021 0	30 g6	-0.007 -0.02	30 r6	+0.041 +0.028	39	± 0.13	12.1
MR047B	47.5	+0.1 -0.1	44	+ 0.02 0	See mounting instructions on page 10				9	± 0.11	4.5
MR050G	50.1 / 50.25	+0.1 / +0.12 -0.1 / -0.12	40 H7	+0.025 0	40 g6	-0.009 -0.025	40 r6	+0.05 +0.034	39	± 0.10	19.4
MR050U	50.25	+0.1 -0.1	40 H7	+0.025 0	40 g6	-0.009 -0.025	40 r6	+0.05 +0.034	51	± 0.10	25.9
MR057G	56.5 / 56.65	+0.1 / +0.12 -0.1 / -0.12	45 H7	+0.025 0	45 g6	-0.009 -0.025	45 r6	+0.05 +0.034	50	± 0.09	33.0
MR063G	62.9 / 63.05	+0.1 / +0.12 -0.1 / -0.12	40 H7	+0.025 0	40 g6	-0.009 -0.025	40 r6	+0.05 +0.034	102	± 0.08	69.6
MR063U	63.05	+0.1 -0.1	50 H7 / 40 H7	+0.025 0	50 g6 / 40 g6	-0.009 -0.025	50 r6 / 40 r6	+0.05 +0.034	83 / 131	± 0.08	66.3 / 90.3
MR076G	75,6 / 75,75	+0.1 / +0.12 -0.1 / -0.12	60 H7	+0.030 0	60 g6	-0.010 -0.029	60 r6	+0.060 +0.041	87	± 0.07	108
MR081G	80.7 / 80.85	+0.1 / +0.12 -0.1 / -0.12	60 H7	+0.030 0	60 g6	-0.01 -0.029	60 r6	+0.06 +0.041	126	± 0.06	158.3
MR081U	80.85	+0.1 -0.1	60 H7	+0.030 0	60 g6	-0.01 -0.029	60 r6	+0.06 +0.041	163	± 0.06	204.9
MR101G	101 / 101.15	+0.1 / +0.12 -0.1 / -0.12	85 H7	+0.035 0	85 g6	-0.012 -0.034	85 r6	+0.073 +0.051	133	± 0.05	287.0
MR101U	101.15	+0.1 -0.1	85 H7	+0.035 0	85 g6	-0.012 -0.034	85 r6	+0.073 +0.051	171	± 0.05	371.0
MR114U	113.95	+0.1 -0.1	95 H7	+0.035 0	95 g6	-0.012 -0.034	95 r6	+0.073 +0.051	221	± 0.05	604.0
MR123G	122.7 / 122.85	+0.1 / +0.12 -0.1 / -0.12	90 H7	+0.035 0	90 g6	-0.012 -0.034	90 r6	+0.073 +0.051	316	± 0.04	911.4
MR127G	126.5 / 126.65	+0.1 / +0.12 -0.1 / -0.12	100 H7	+0.035 0	100 g6	-0.012 -0.034	100 r6	+0.073 +0.051	271	± 0.04	875.0
MR127U	126.65	+0.1 -0.1	100 H7	+0.035 0	100 g6	-0.012 -0.034	100 r6	+0.073 +0.051	345	± 0.04	1118.0
MR162G	162.2 / 162.35	+0.1 / +0.12 -0.1 / -0.12	143 H7	+0.040 0	143 g6	-0.014 -0.039	143 r6	+0.09 +0.065	260	± 0.03	1512.3
MR162U	162.35	+0.1 -0.1	143 H7	+0.040 0	143 g6	-0.014 -0.039	143 r6	+0.09 +0.065	334	± 0.03	1948.1
MR325E	325.1	+0.2 -0.2	280 G7 / 240 G7	+0.069 / +0.044 +0.017 / +0.015	280 h6 / 240 h6	0 / 0 -0.032 / -0.029	280 s6 / 240 s6	+0.19 / +0.169 +0.158 / +0.14	1600 / 2900	± 0.03	36640.0 / 57720.0

Recommended ride height table

Installation at the recommended ride height results in better encoder system performance, such as lower SDE and higher accuracy. Please refer to the table below for the recommended ride height values. The readheads are calibrated at these values. The maximum range of installation tolerances for the ride height is shown in the drawings of the individual rings and readheads.

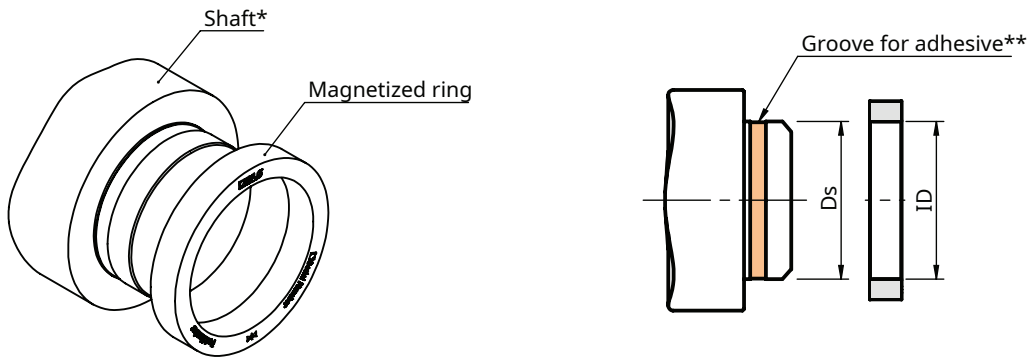
Readhead	LM10	LM13	RLM	RLC2IC	RLC2HD	RLB
Recommended ride height [mm]	0.3	0.3	0.3	0.3	0.3	0.3

For maximum range (ride height installation tolerances) please refer to individual ring and readhead drawings.

Installation by gluing

Make sure the installation surface is clean and free of debris. For more information see adhesive manufacturer's datasheet.

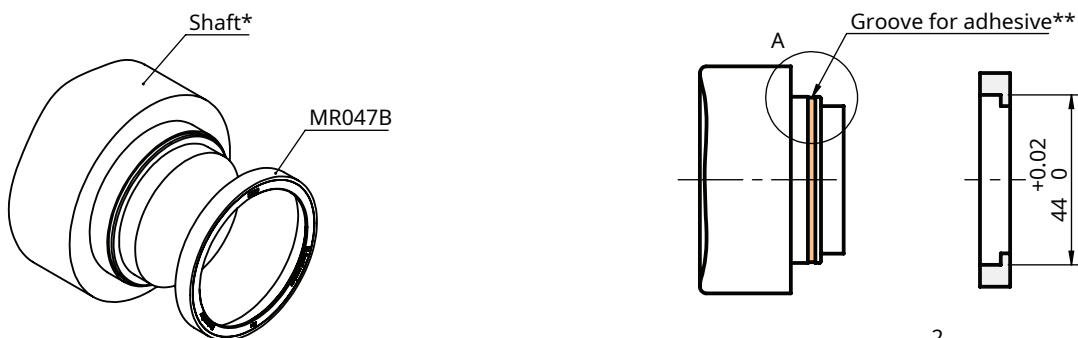
For all radial rings except MR047B



*Not provided.

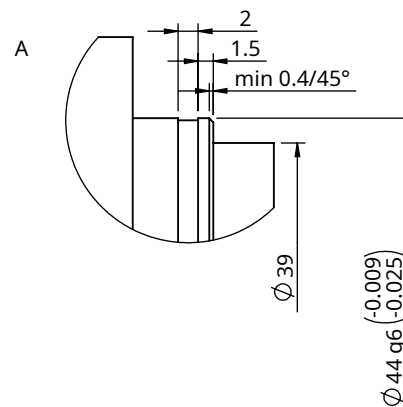
**For the depth of the groove, please check the specifications of the adhesive (adhesive not provided).

For ring MR047B



*Not provided.

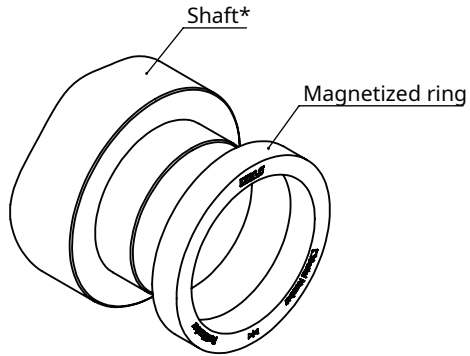
**For the depth of the groove, please check the specifications of the adhesive (adhesive not provided).



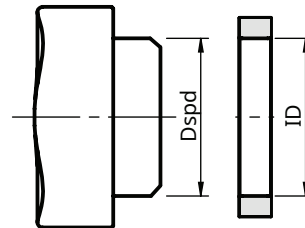
Installation by press-fitting

Make sure the installation surface is clean and free of debris. Slip the ring onto the mating shaft applying equal or uniform force along the whole ring circumference. For recommended shaft diameter (Dspd) see table on [page 9](#).

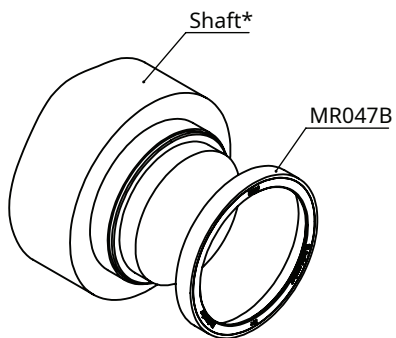
For all radial rings except MR047B



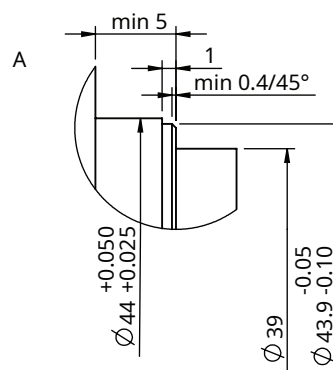
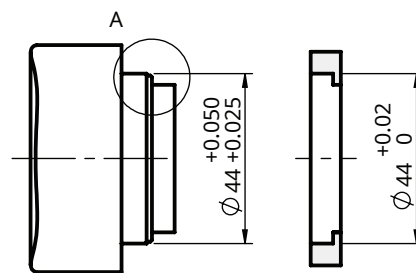
*Not provided.



For ring MR047B



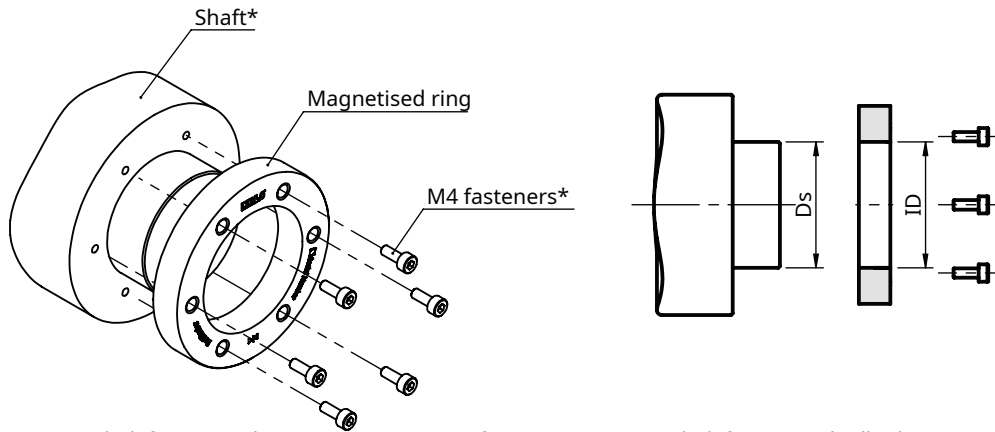
*Not provided.



Installation with fasteners

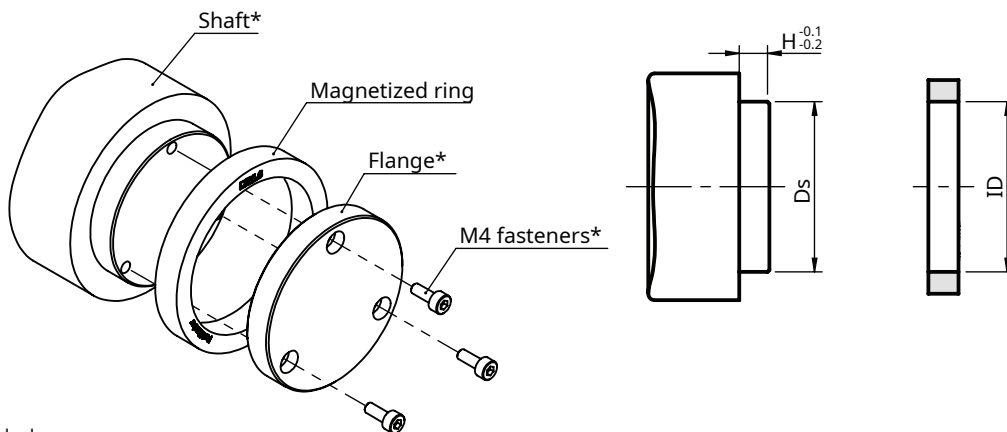
Installation with fasteners is possible with MR063G, MR081G, MR081U, MR114U, MR123G and MR325E rings. Make sure the installation surface is clean and free of debris. Rings need to be attached with fasteners as per the installation drawings (see appropriate ring page).

For recommended tightening torque see Table of recommended fasteners tightening torques available at [RLS media center](#).



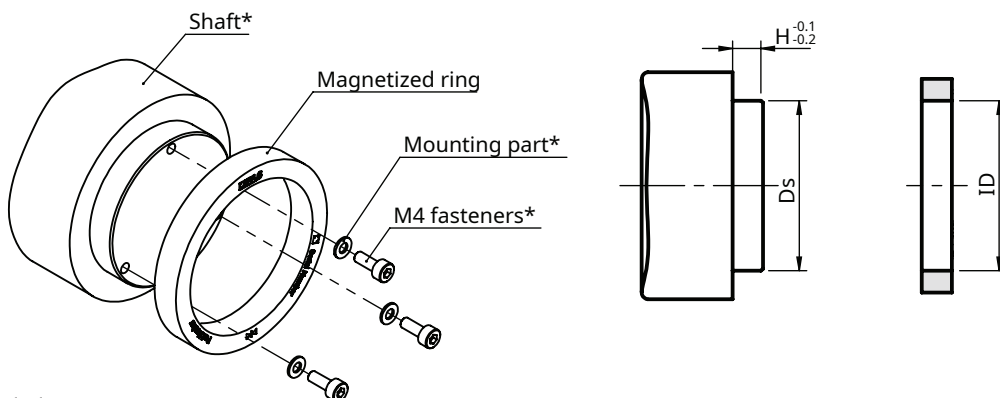
*M8 fasteners (not provided) for use with MR325E (ID240). M4 fasteners (not provided) for use with all other rings

Flange



*Not provided.

Mounting part

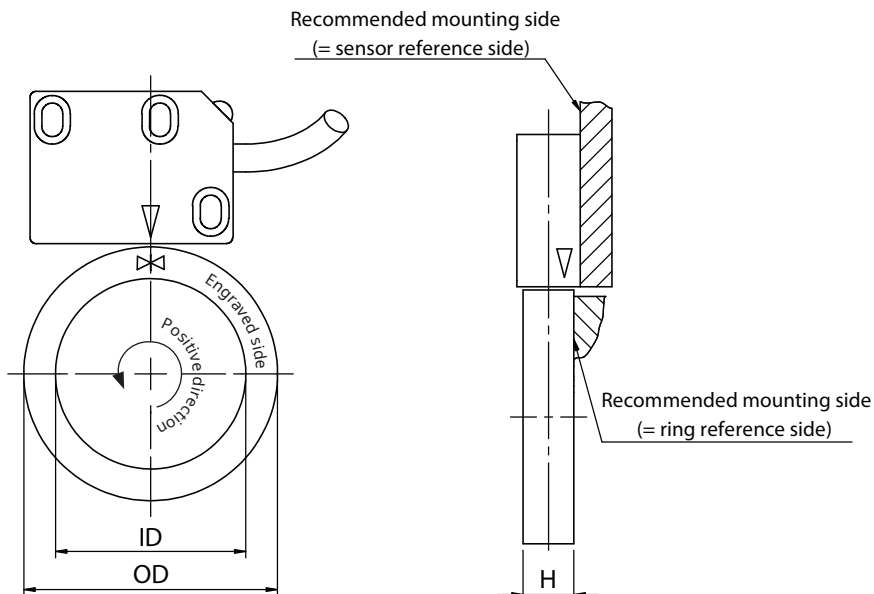


*Not provided.

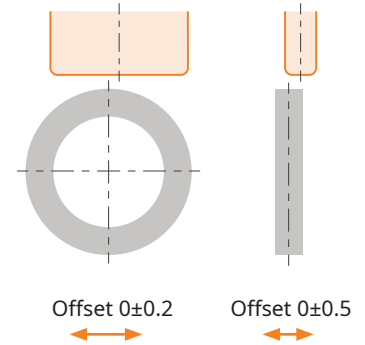
Mounting instructions

The following drawings show the positive direction of rotation of the ring and not the readhead.

Mounting with LM10 readhead

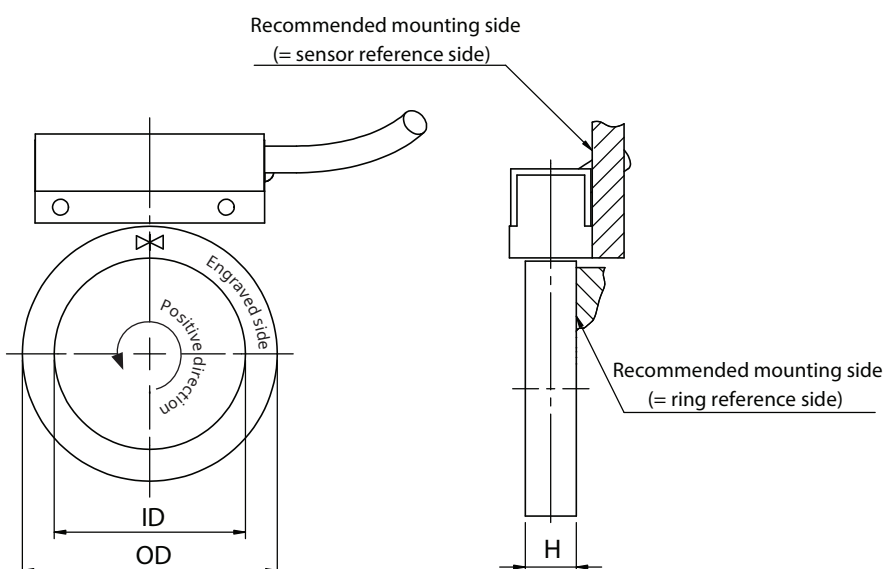


Offset range

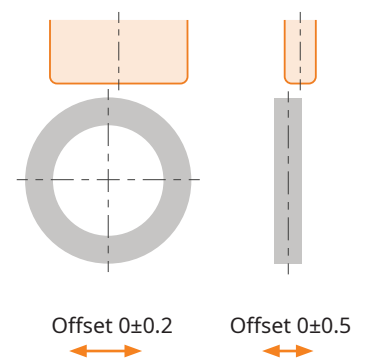


For readhead specifications see LM10 data sheet available at [RLS media center](#).

Mounting with LM13 readhead

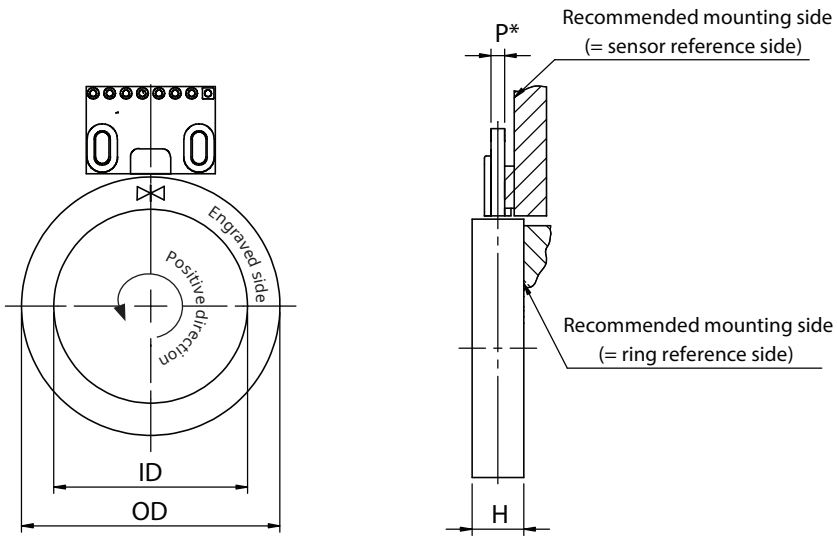


Offset range



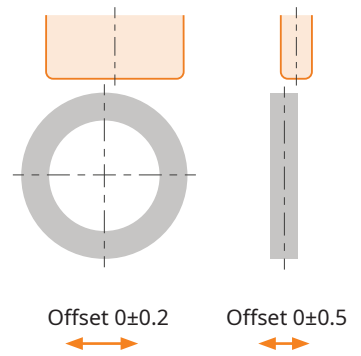
For readhead specifications see LM13 data sheet available at [RLS media center](#).

Mounting with RLC2IC readhead



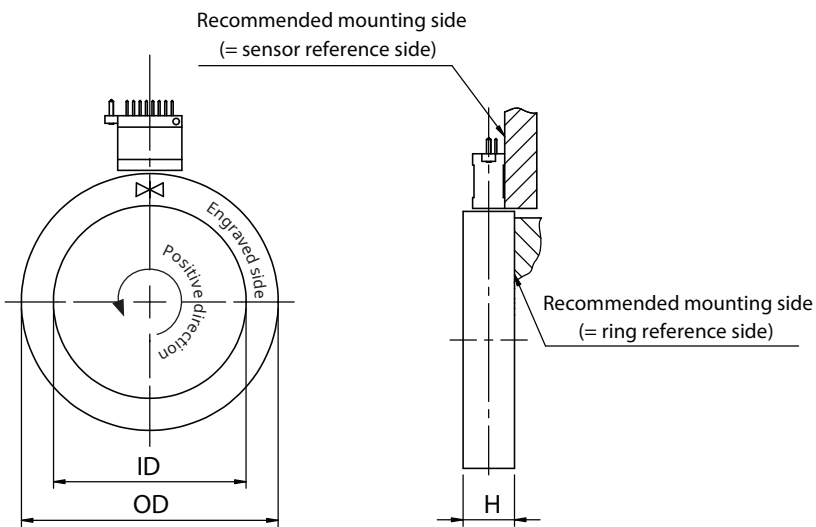
P*- centerline of marked dimension is specified as a centerline of entire encoder

Offset range

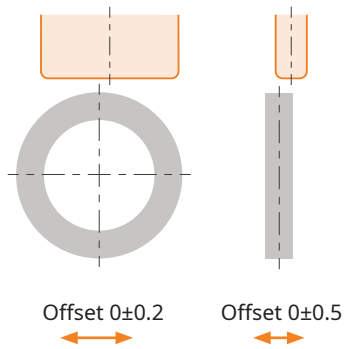


For readhead specifications see RLC2IC data sheet available at **RLS media center.**

Mounting with RLM readhead

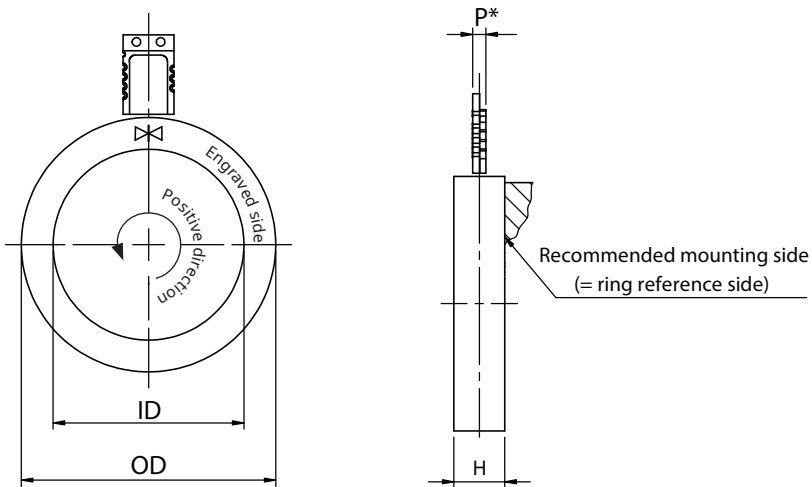


Offset range



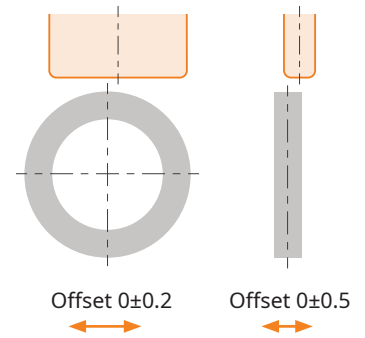
For readhead specifications see RLM data sheet available at **RLS media center.**

Mounting with RLC2HD readhead



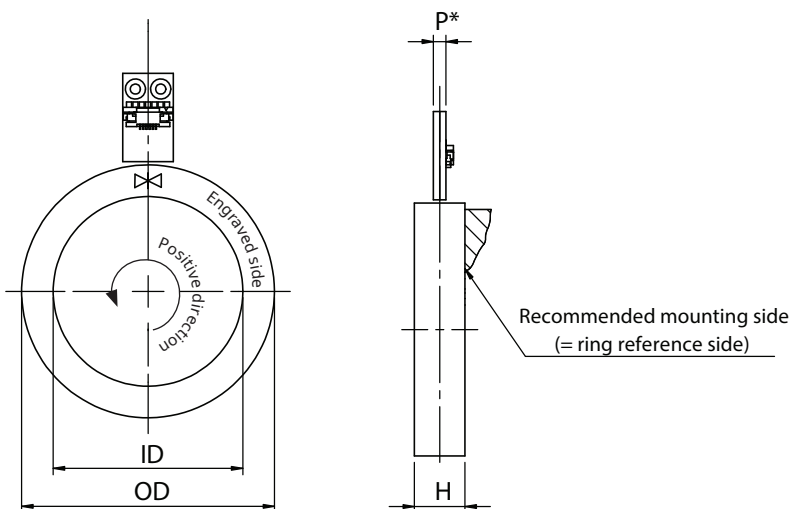
P*- centerline of marked dimension is specified as a centerline of entire encoder

Offset range



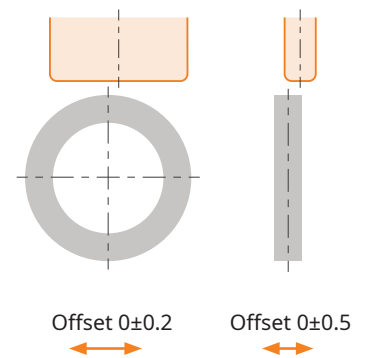
For readhead specifications see RLC2HD data sheets available at [RLS media center](#).

Mounting with RLB readhead



P*- centerline of marked dimension is specified as a centerline of entire encoder

Offset range

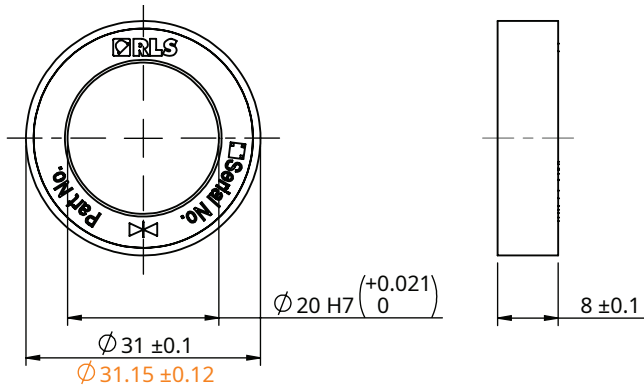


For readhead specifications see RLB data sheet available at [RLS media center](#).

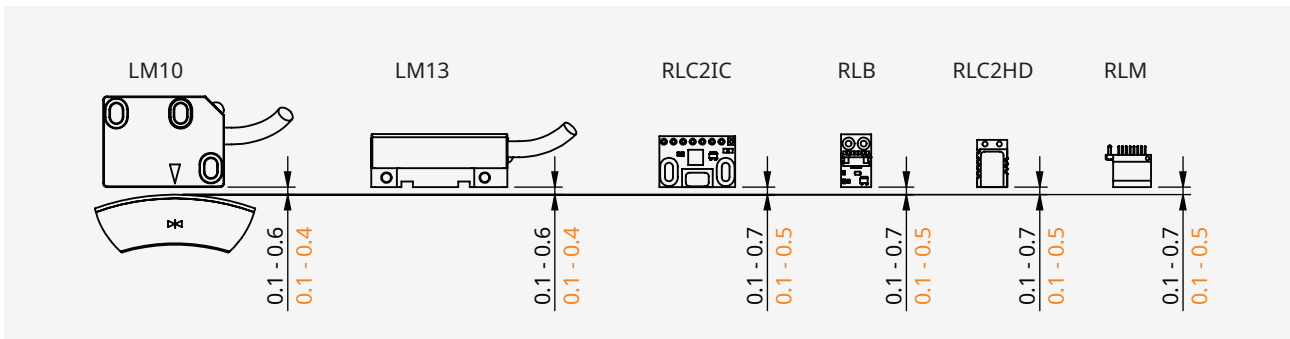
MR031G

Dimensions and installation drawings

Dimensions and tolerances are in mm. Values in orange represent option with cover foil.



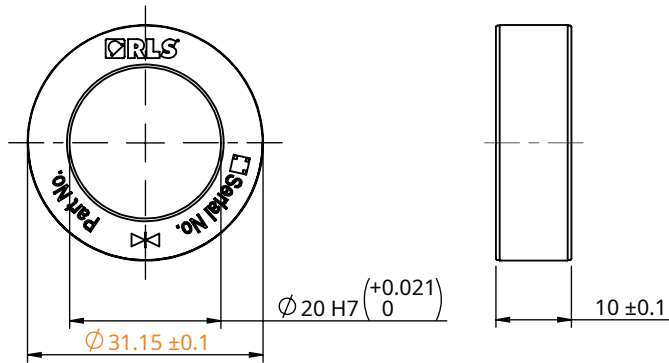
Ride height for MR031G



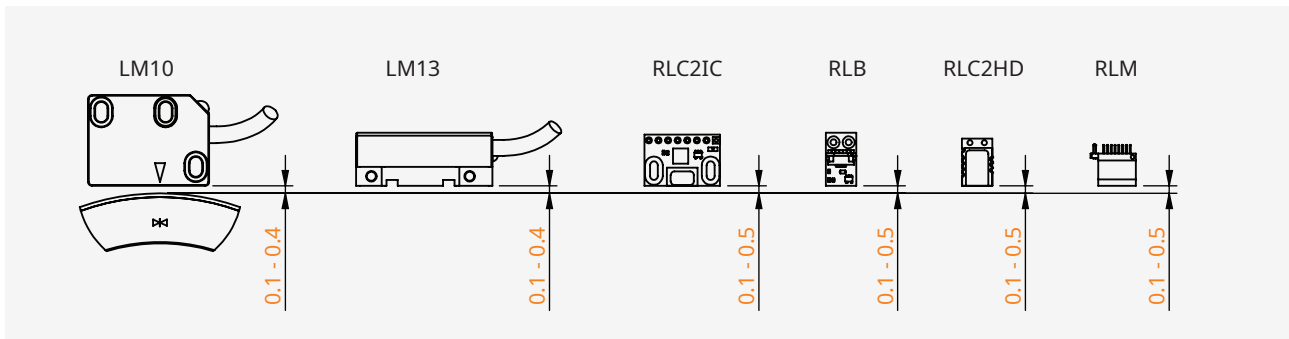
MR031U

Dimensions and installation drawings

Dimensions and tolerances are in mm. Values in orange represent option with cover foil.



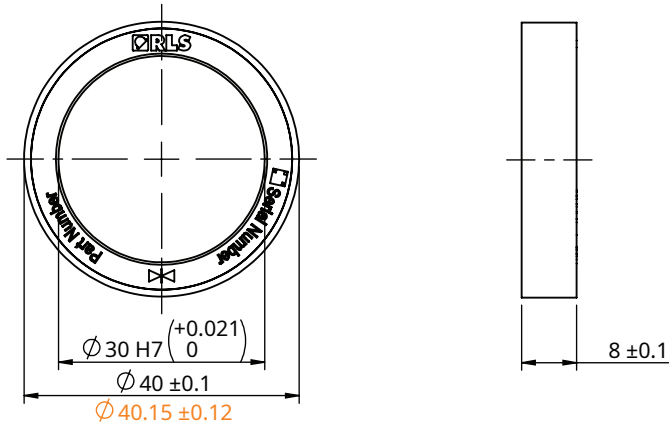
Ride height for MR031U



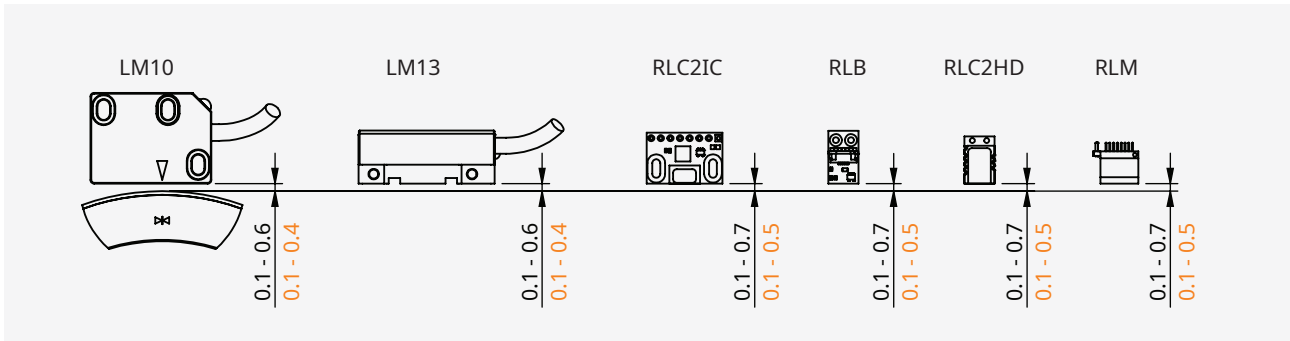
MR040G

Dimensions and installation drawings

Dimensions and tolerances are in mm. Values in orange represent option with cover foil.



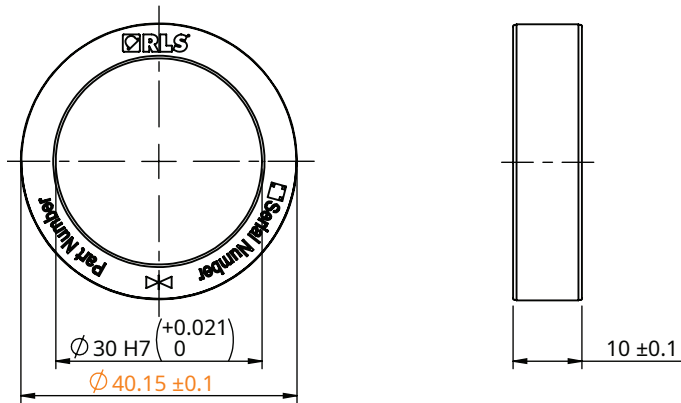
Ride height for MR040G



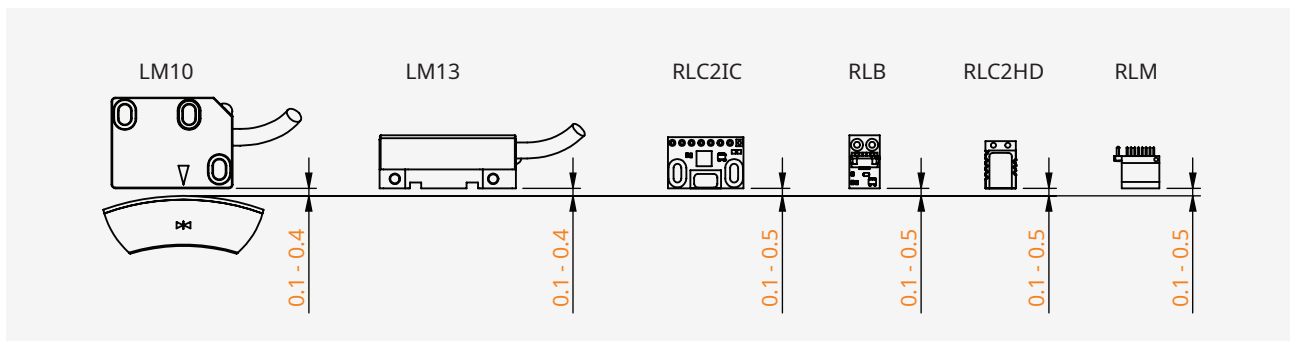
MR040U

Dimensions and installation drawings

Dimensions and tolerances are in mm. Values in orange represent option with cover foil.



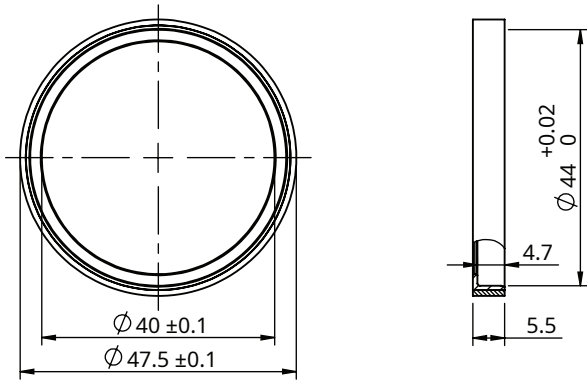
Ride height for MR040U



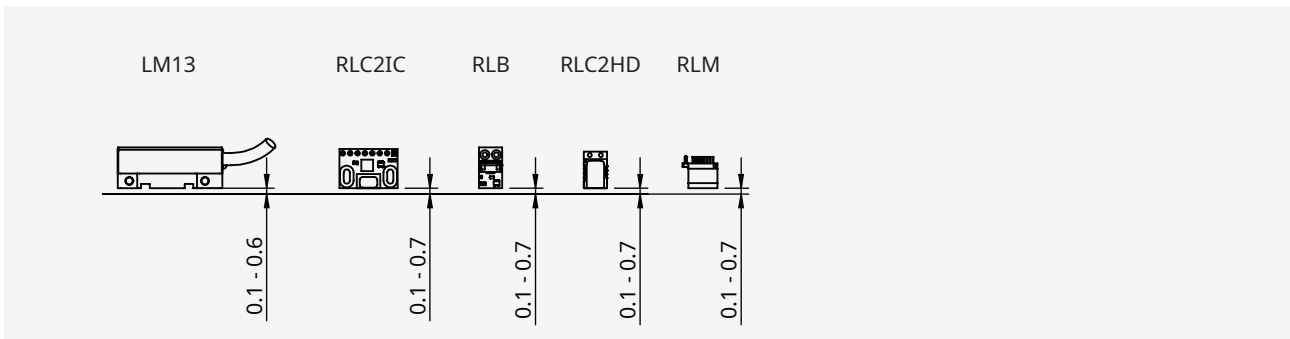
MR047B

Dimensions and installation drawings

Dimensions and tolerances are in mm. Values in orange represent option with cover foil.



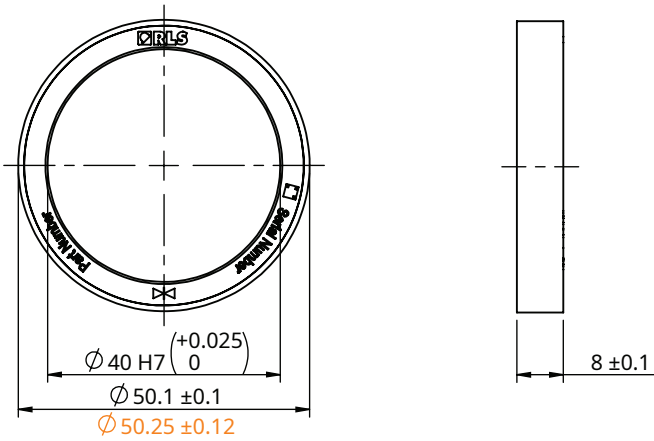
Ride height for MR047B



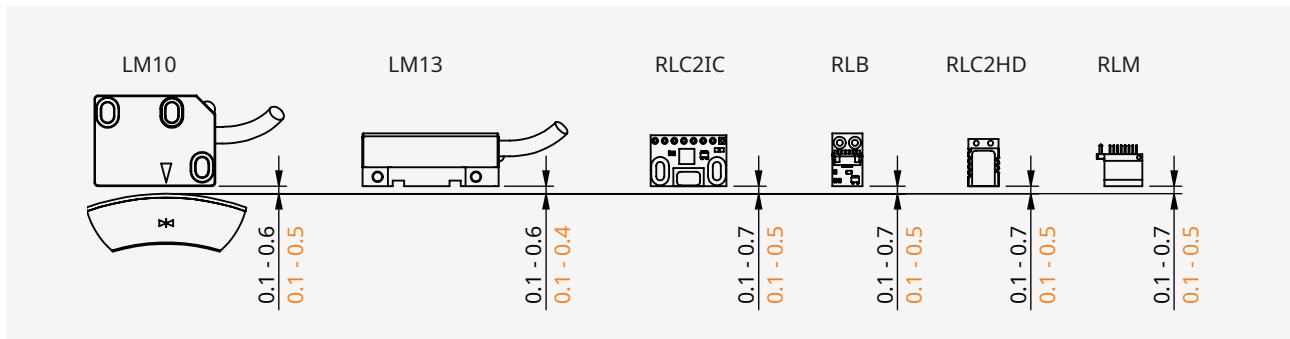
MR050G

Dimensions and installation drawings

Dimensions and tolerances are in mm. Values in orange represent option with cover foil.



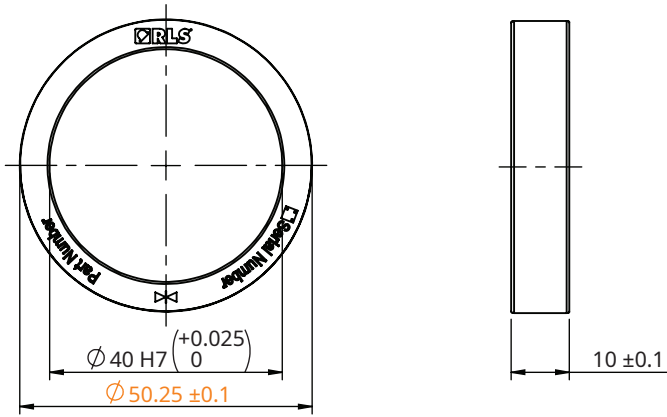
Ride height for MR050G



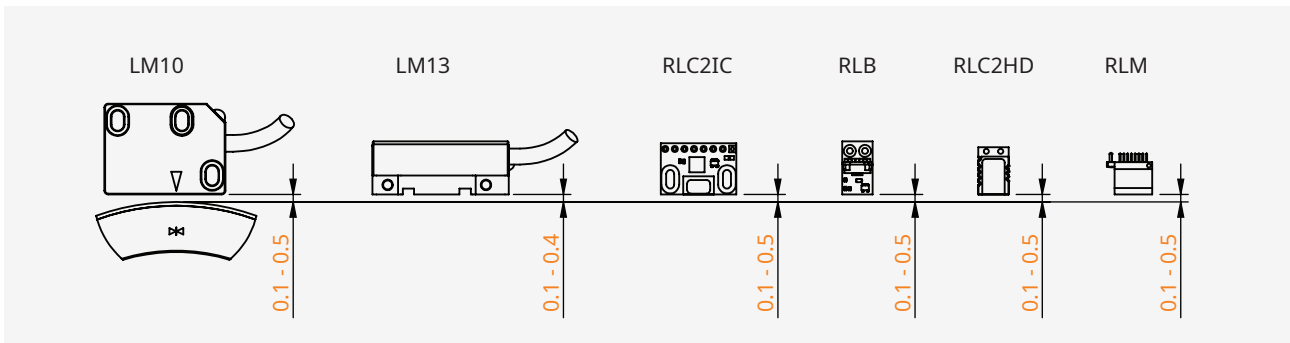
MR050U

Dimensions and installation drawings

Dimensions and tolerances are in mm. Values in orange represent option with cover foil.



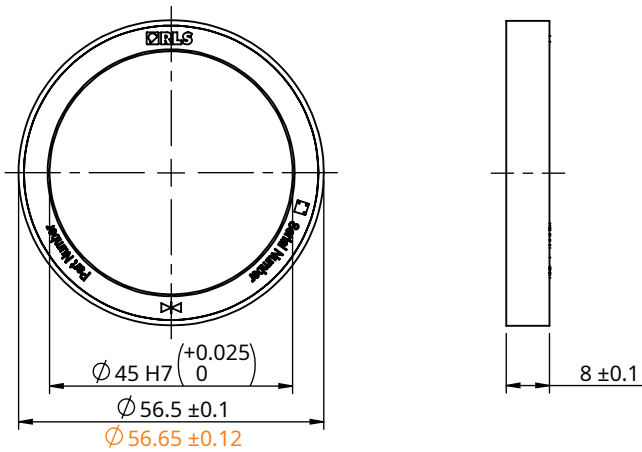
Ride height for MR050U



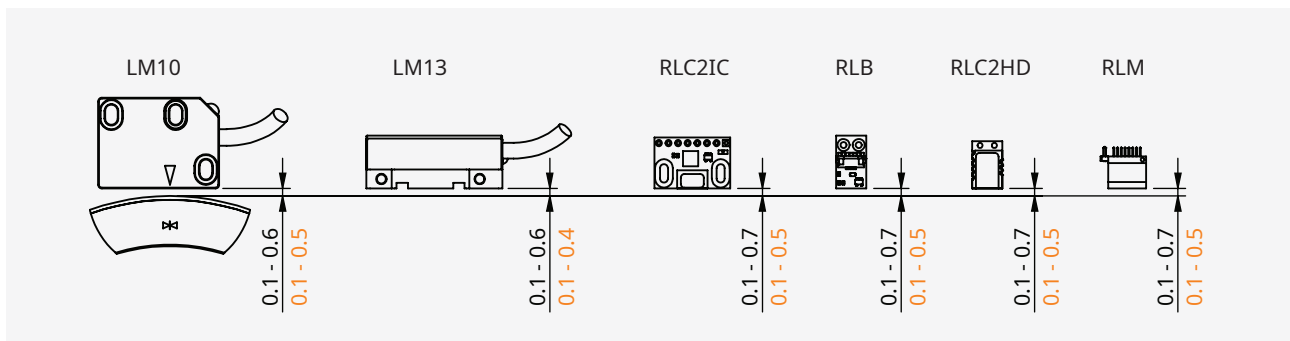
MR057G

Dimensions and installation drawings

Dimensions and tolerances are in mm. Values in orange represent option with cover foil.



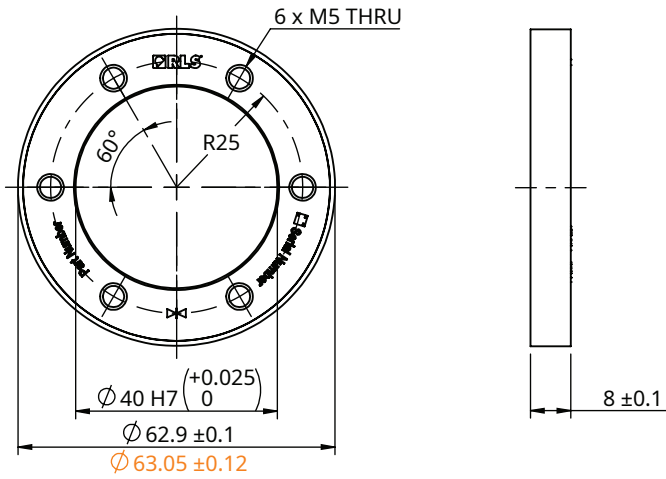
Ride height for MR057G



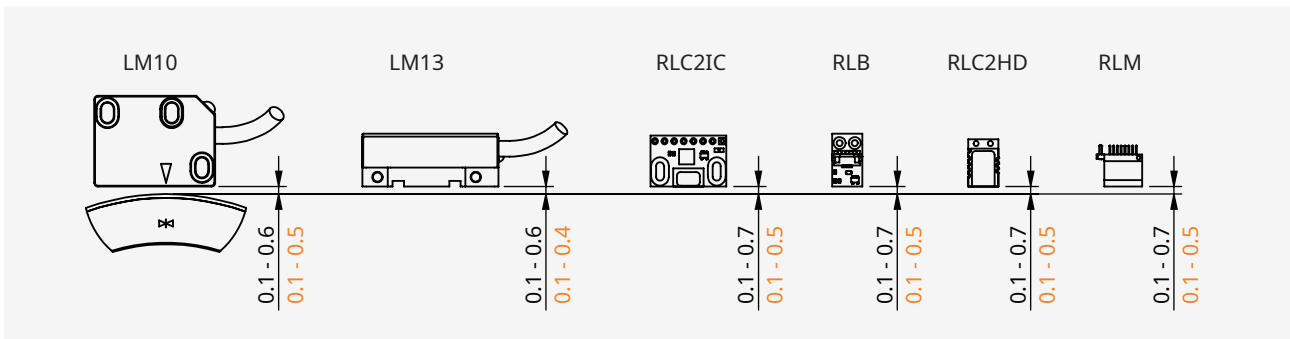
MR063G

Dimensions and installation drawings

Dimensions and tolerances are in mm. Values in orange represent option with cover foil.



Ride height for MR063G

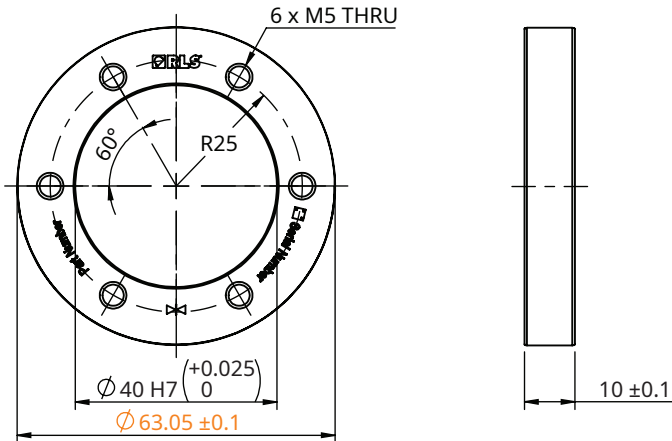


MR063U

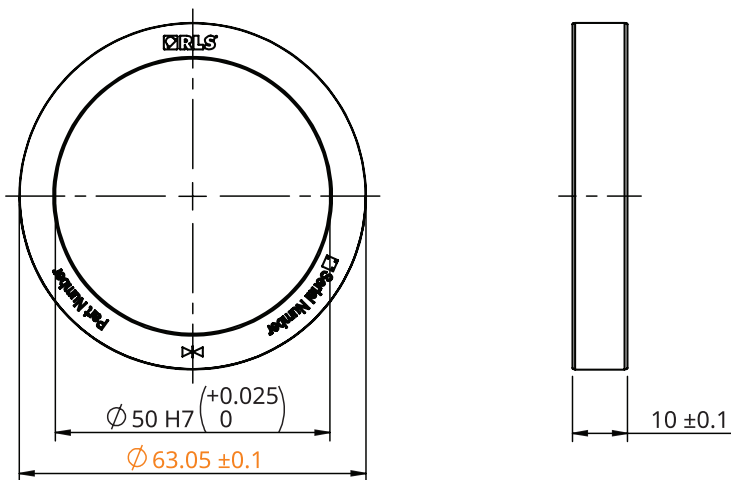
Dimensions and installation drawings

Dimensions and tolerances are in mm. Values in orange represent option with cover foil.

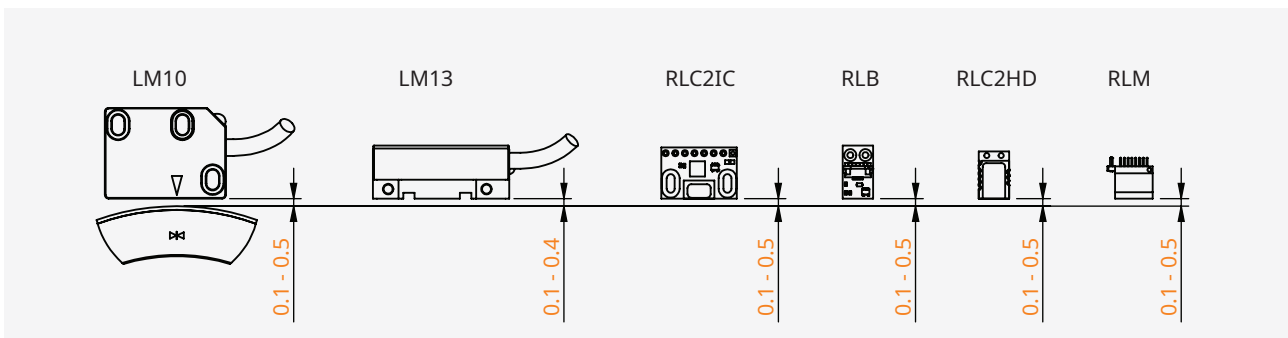
MR063U with inner diameter Ø40 H7



MR063U with inner diameter Ø50 H7



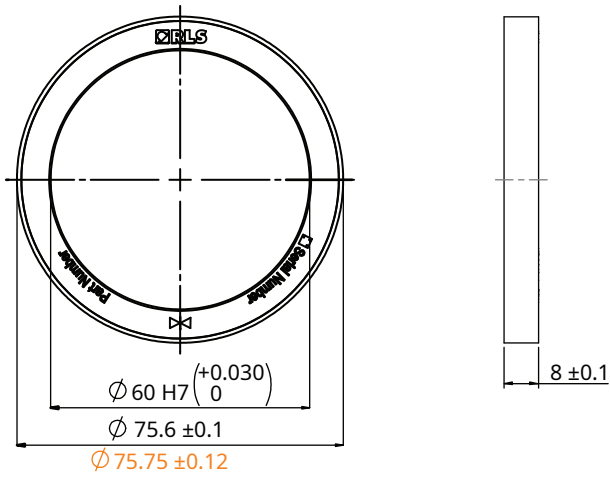
Ride height for MR063U



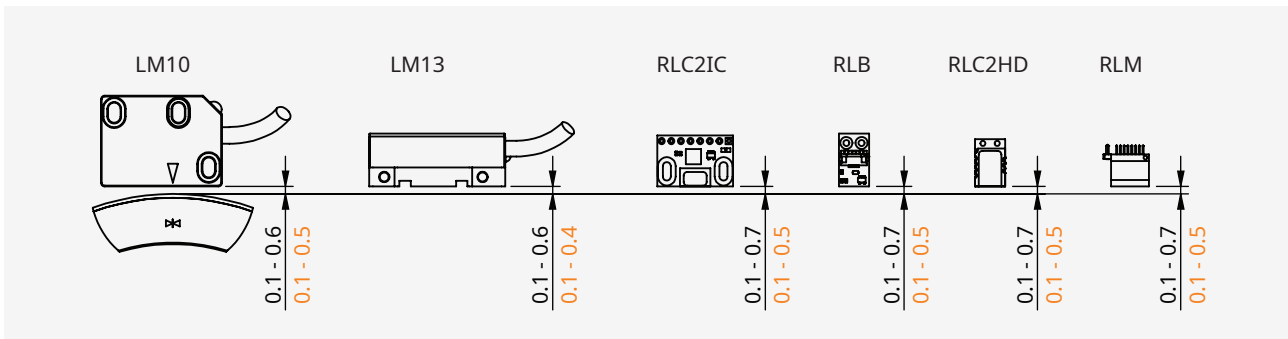
MR076G

Dimensions and installation drawings

Dimensions and tolerances are in mm. Values in orange represent option with cover foil.



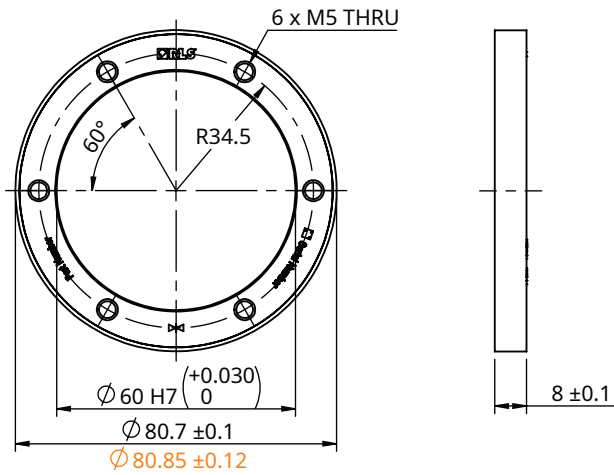
Ride height for MR076G



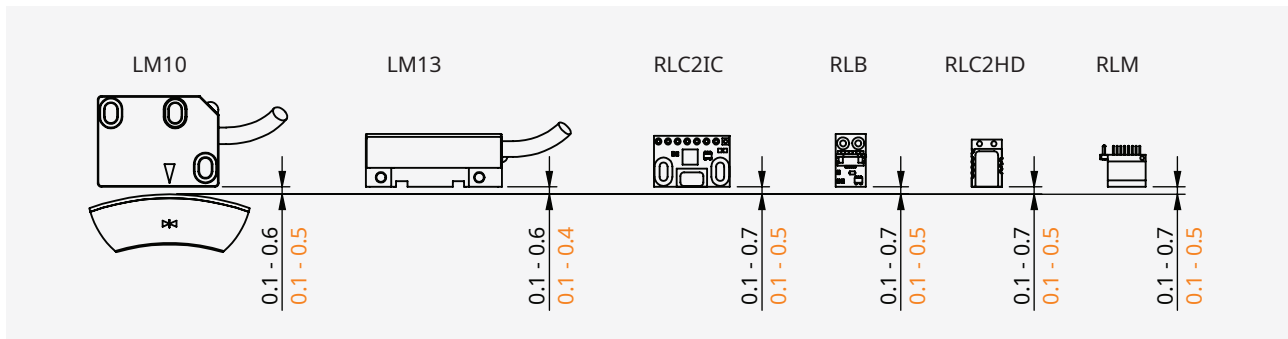
MR081G

Dimensions and installation drawings

Dimensions and tolerances are in mm. Values in orange represent option with cover foil.



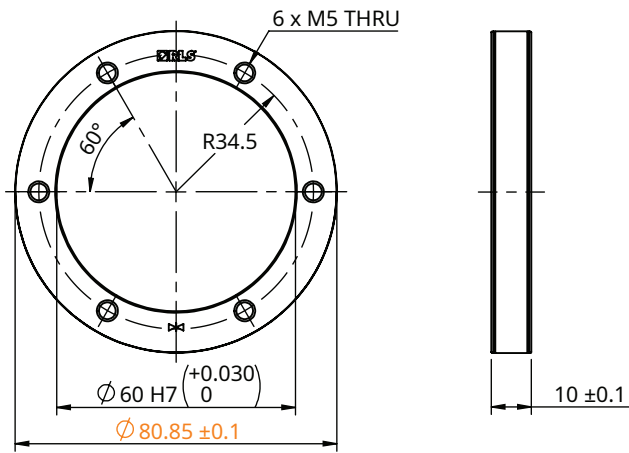
Ride height for MR081G



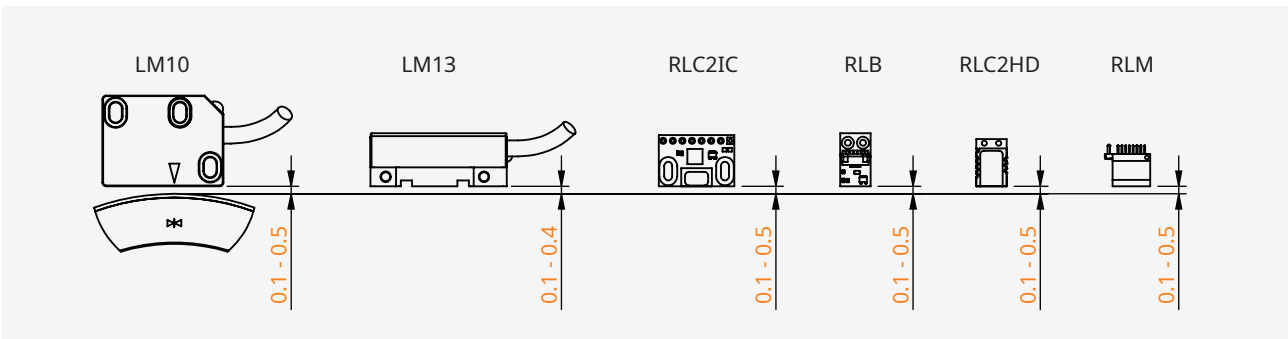
MR081U

Dimensions and installation drawings

Dimensions and tolerances are in mm. Values in orange represent option with cover foil.



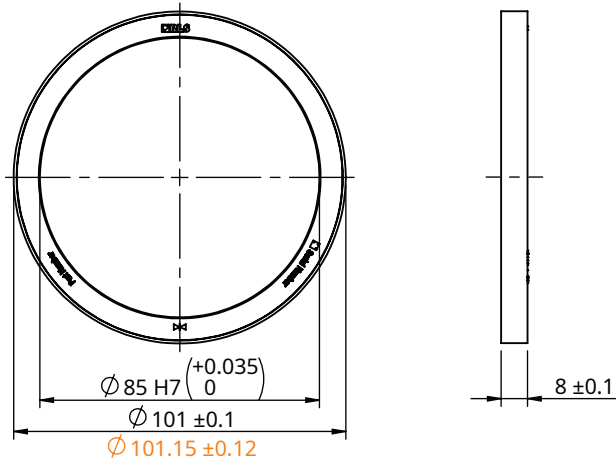
Ride height for MR081U



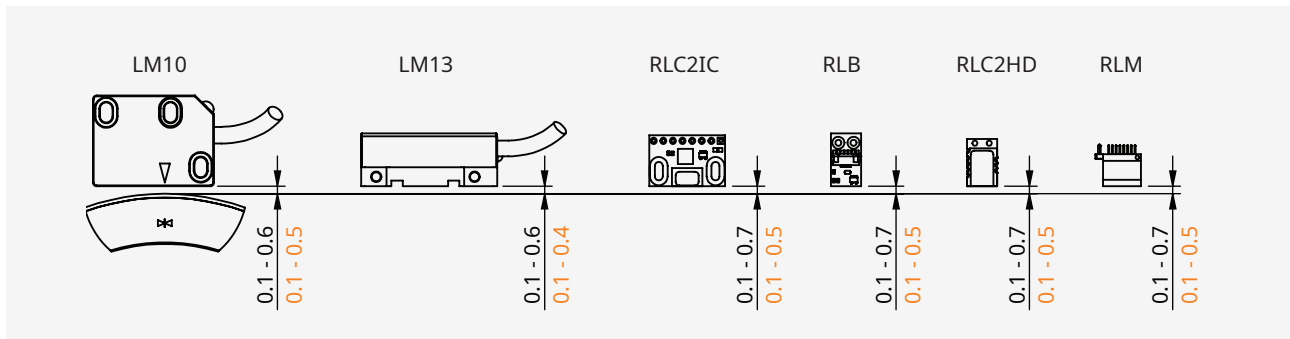
MR101G

Dimensions and installation drawings

Dimensions and tolerances are in mm. Values in orange represent option with cover foil.



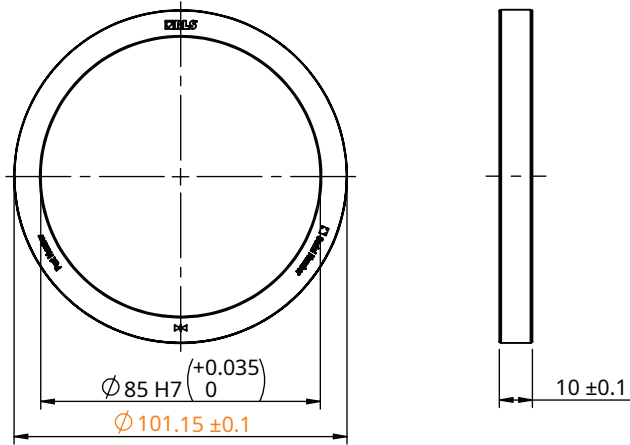
Ride height for MR101G



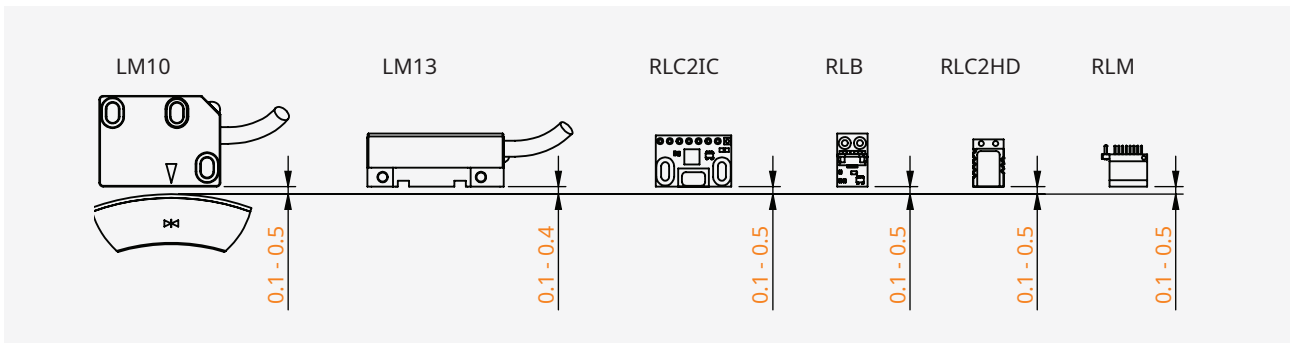
MR101U

Dimensions and installation drawings

Dimensions and tolerances are in mm. Values in orange represent option with cover foil.



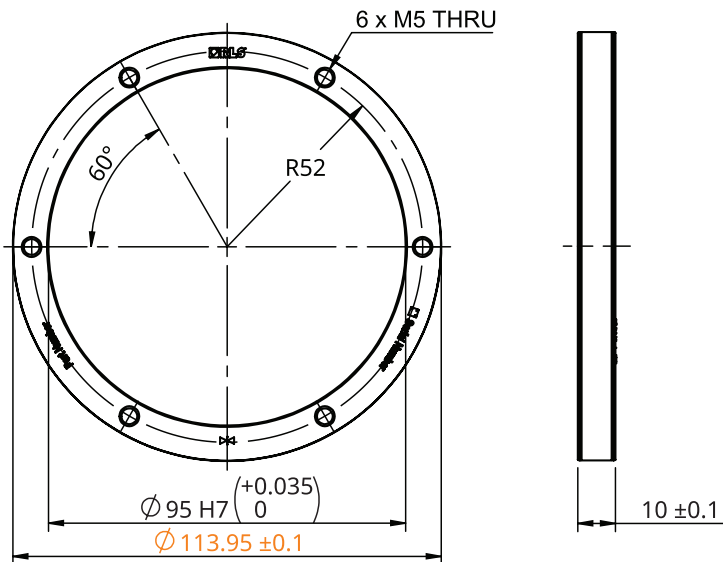
Ride height for MR101U



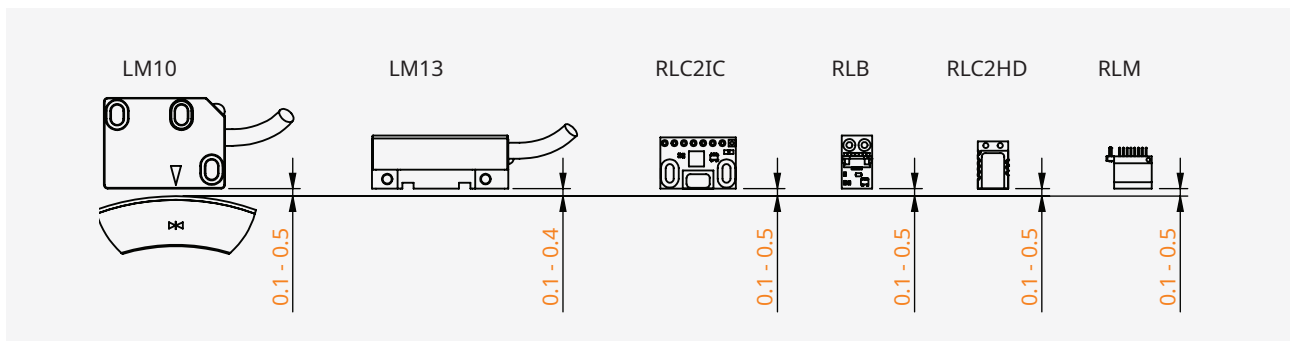
MR114U

Dimensions and installation drawings

Dimensions and tolerances are in mm. Values in orange represent option with cover foil.



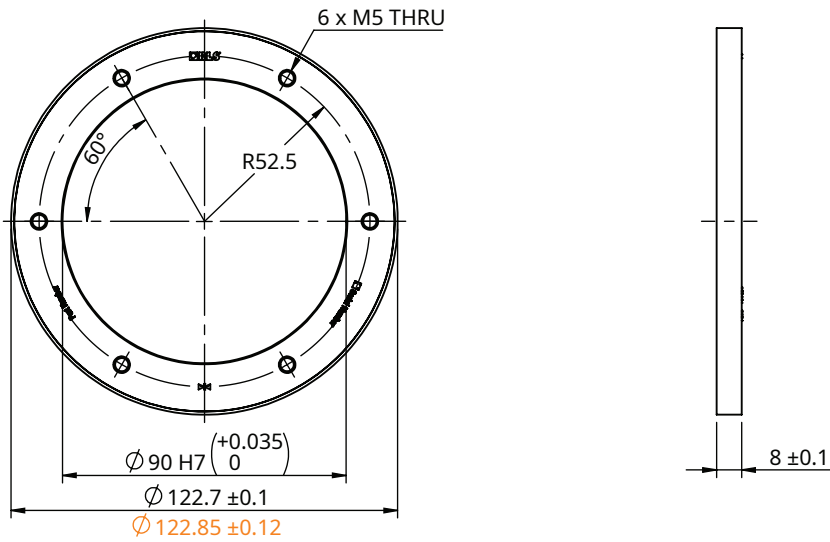
Ride height for MR114U



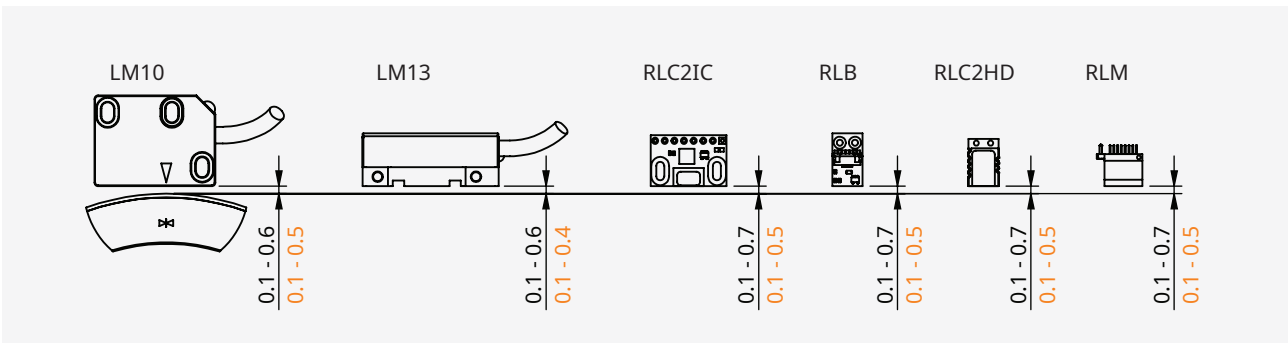
MR123G

Dimensions and installation drawings

Dimensions and tolerances are in mm. Values in orange represent option with cover foil.



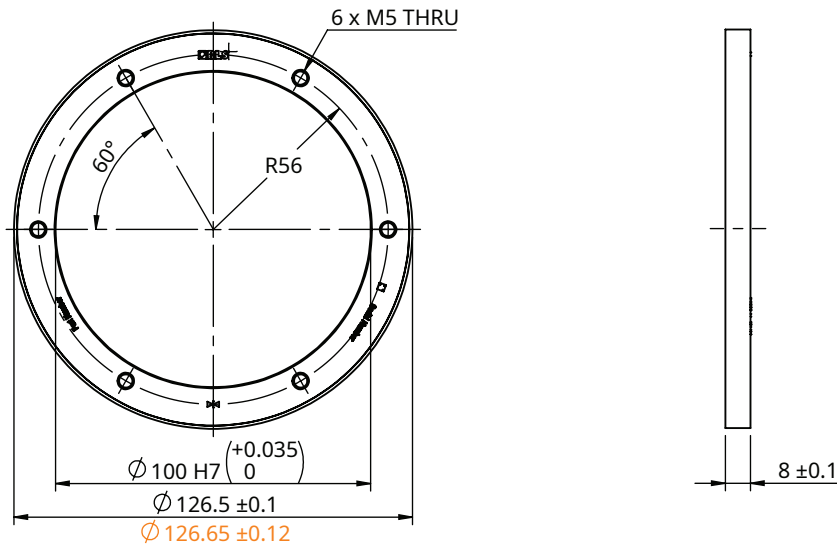
Ride height for MR123G



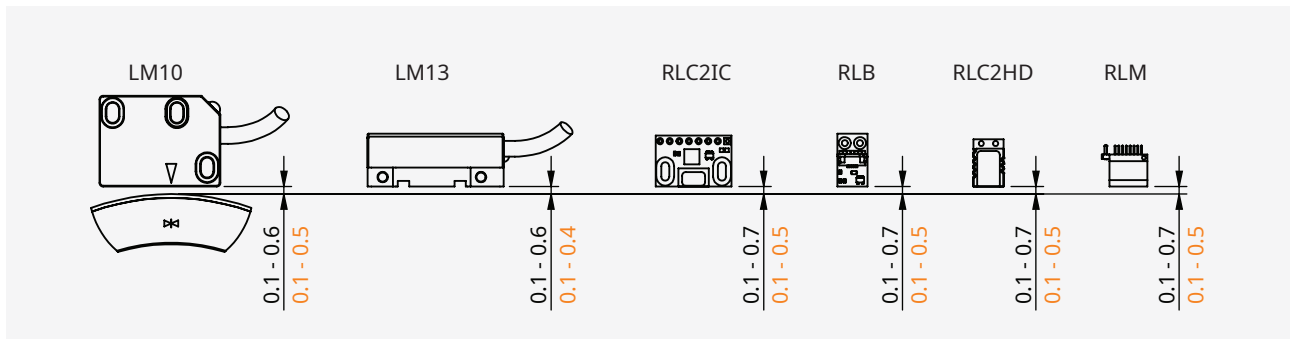
MR127G

Dimensions and installation drawings

Dimensions and tolerances are in mm. Values in orange represent option with cover foil.



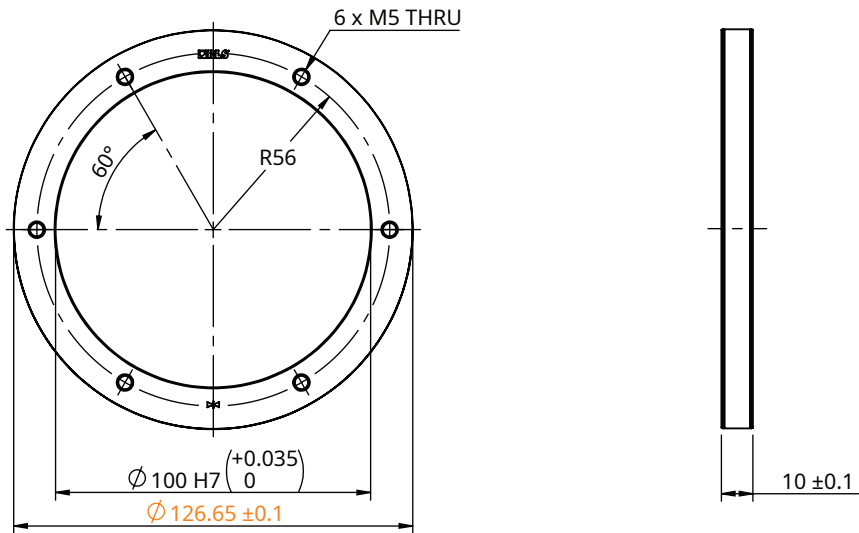
Ride height for MR127G



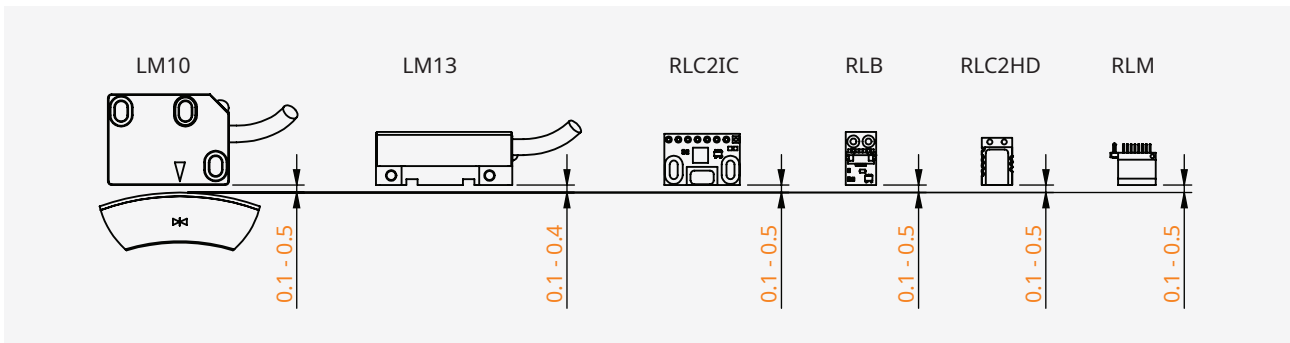
MR127U

Dimensions and installation drawings

Dimensions and tolerances are in mm. Values in orange represent option with cover foil.



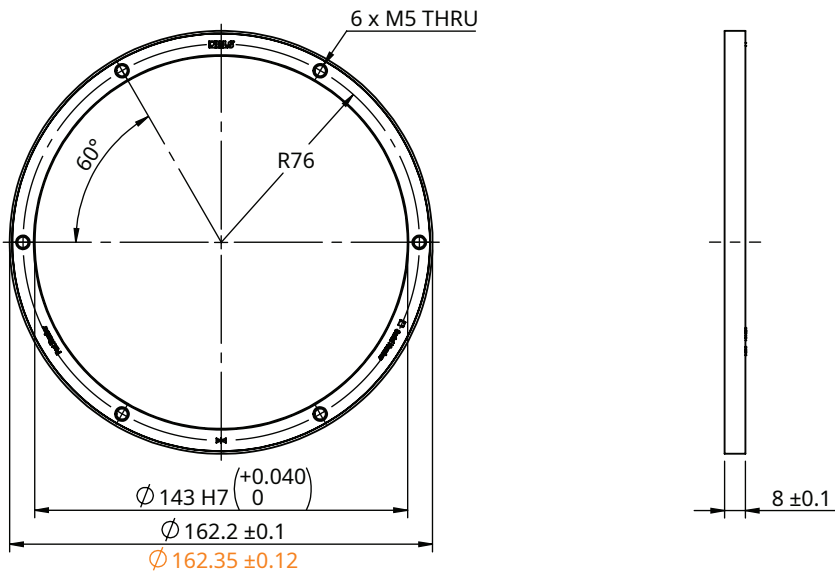
Ride height for MR127U



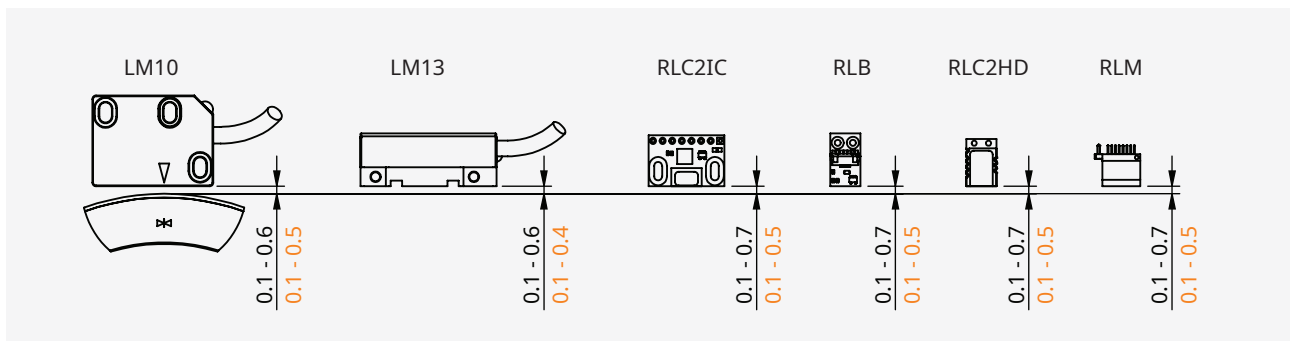
MR162G

Dimensions and installation drawings

Dimensions and tolerances are in mm. Values in orange represent option with cover foil.



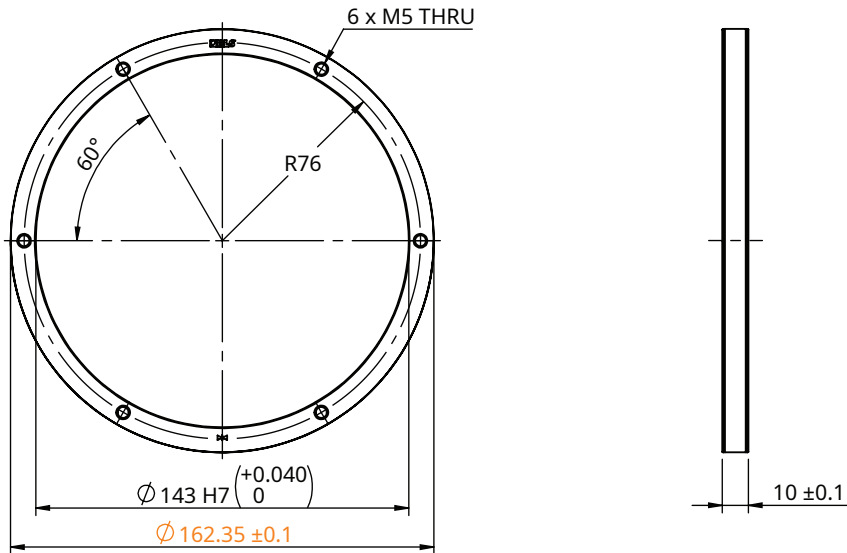
Ride height for MR162G



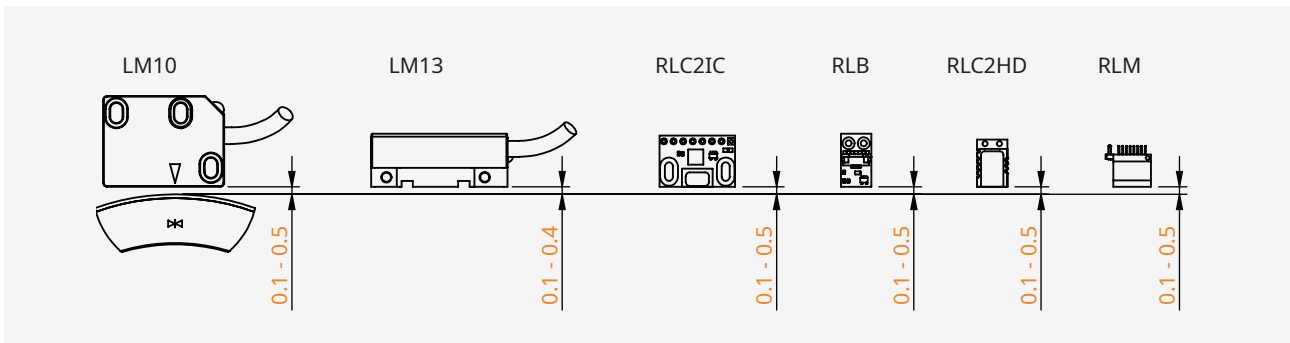
MR162U

Dimensions and installation drawings

Dimensions and tolerances are in mm. Values in orange represent option with cover foil.



Ride height for MR162U

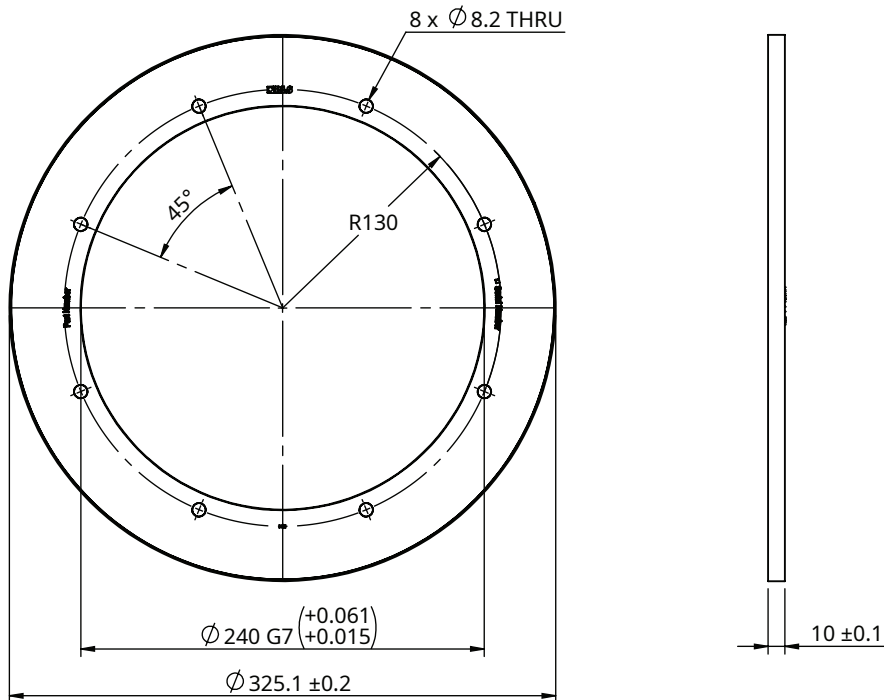


MR325E

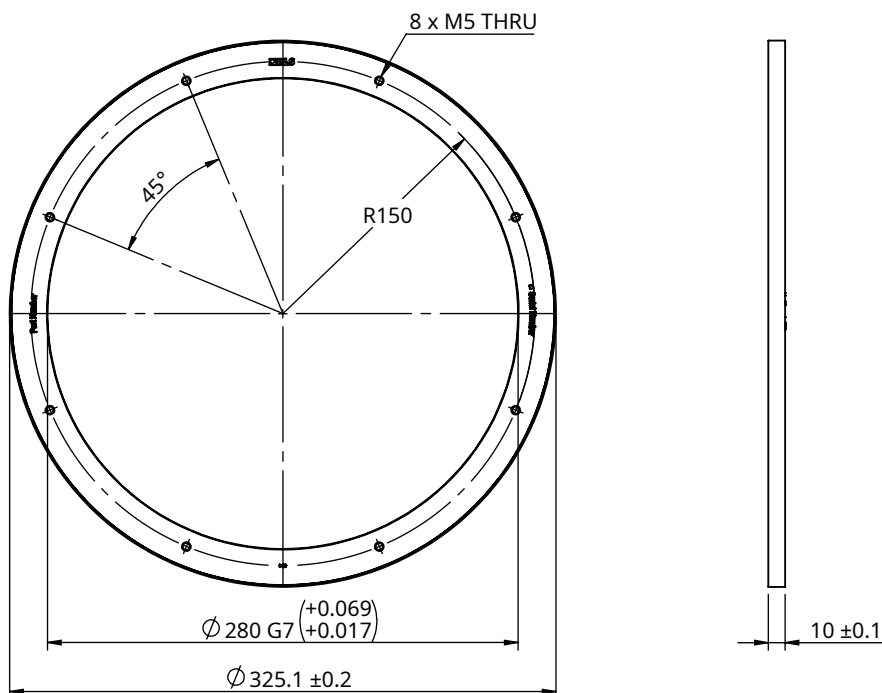
Dimensions and installation drawings

Dimensions and tolerances are in mm. Values in orange represent option with cover foil.

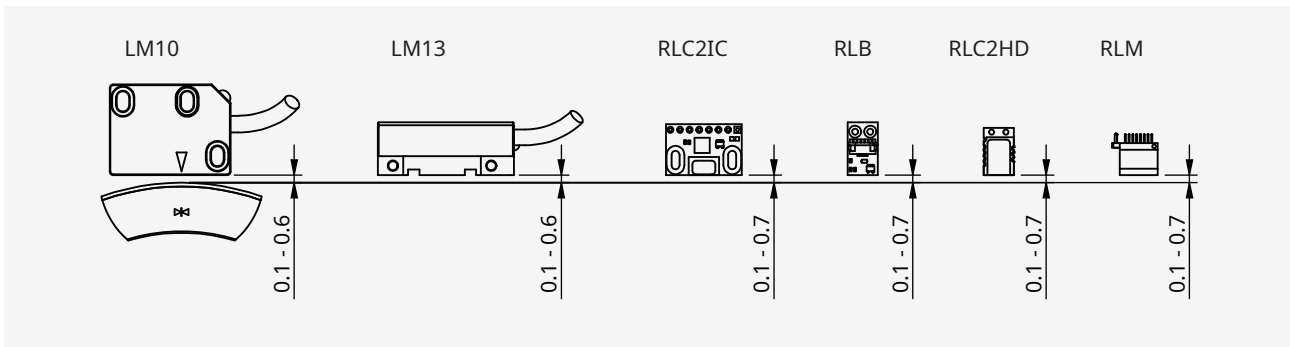
MR325E with inner diameter $\varnothing 240$ G7



MR325E with inner diameter $\varnothing 280$ G7



Ride height for MR325E



Part numbering

	MR	031	G	020	B	050	N	00
Outer diameter								
031 - 31 mm								
040 - 40 mm								
047 - 47 mm								
050 - 50 mm								
057 - 57 mm								
063 - 63 mm								
076 - 76 mm								
081 - 81 mm								
101 - 101 mm								
114 - 114 mm								
123 - 123 mm								
127 - 127 mm								
162 - 162 mm								
325 - 325 mm								
Cross section								
B - Height 5.5 mm								
E - Height 10 mm								
G - Height 8 mm								
U - Height 10 mm, welded cover foil								
Inner diameter								
020 - 20 mm								
030 - 30 mm								
040 - 40 mm								
045 - 45 mm								
050 - 50 mm								
060 - 60 mm								
085 - 85 mm								
090 - 90 mm								
095 - 95 mm								
100 - 100 mm								
143 - 143 mm								
240 - 240 mm								
280 - 280 mm								
Reference mark								
A - With reference mark								
B - Without reference mark								
D - Distance coded reference mark								
Number of poles								
050 - 50 poles								
064 - 64 poles								
076 - 76 poles								
080 - 80 poles								
090 - 90 poles								
100 - 100 poles								
120 - 120 poles								
128 - 128 poles								
160 - 160 poles								
180 - 180 poles								
194 - 194 poles								
200 - 200 poles								
256 - 256 poles								
512 - 512 poles								
Material								
L - Stainless steel hub with bonded rubber tape								
N - Stainless steel with bonded rubber tape, with cover foil								
Special requirements								
00 - No special requirements								

Not all part number combinations are valid. The inner diameter of rings is related to the outer diameter and cannot be randomly selected. Please refer to the table of available combinations on the next page.

Table of available combinations

Series	Outer diameter	Cross section	Inner diameter	Reference mark	Number of poles	Cover foil option	Special requirements
MR	031	G	020	A / B	050	L / N	00
		U				N	
	040	G	030	A / B / D	064	L / N	
		U				N	
	047	B	040	A / B	076	L	
	050	G	040	A / B / D	080	L / N	
		U				N	
	057	G	045	A / B / D	090	L / N	
	063	G	040	A / B / D	100	L / N	
		U	040			N	
			050				
	076	G	060	A / B / D	120	L / N	
	081	G	060	A / B / D	128	L / N	
		U				N	
	101	G	085	A / B / D	160	L / N	
		U				N	
	114	U	095	A / B / D	180	N	
	123	G	090	A / B	194	L / N	
	127	G	100	A / B / D	200	L / N	
		U				N	
162	G	143	A / B / D	256	L / N		
	U				N		
325	E	240	A / B / D	512	L		
		280					

Accessories



Magnet viewer
MM0001

Head office

RLS Merilna tehnika d. o. o.

Poslovna cona Žeje pri Komendi
Pod vrbami 2
SI-1218 Komenda
Slovenia

T +386 1 5272100
E mail@rls.si

www.rls.si

Global support

Visit our [website](#) to contact your nearest sales representative.

Document issues

Issue	Date	Page	Description
03	14.3.2023	General	MR076G added
		11	Installation drawing for ring MR047B amended
		13 -15	Mounting instructions drawings amended
04	11. 7. 2023	2, 8, 40	DCRM option for MR031 removed
		20	Ride height diagram for MR047 magnetic ring amended

This product is not designed or intended for use outside the environmental limitations and operating parameters expressly stated on the product's datasheet. Products are not designed or intended for use in medical, military, aerospace, automotive or oil & gas applications or any safety-critical applications where a failure of the product could cause severe environmental or property damage, personal injury or death. Any use in such applications must be specifically agreed to by seller in writing, and is subject to such additional terms as the seller may impose in its sole discretion. Use of products in such applications is at buyer's own risk, and buyer will indemnify and hold harmless seller and its affiliates against any liability, loss, damage or expense arising from such use. Information contained in this datasheet was derived from product testing under controlled laboratory conditions and data reported thereon is subject to the stated tolerances and variations, or if none are stated, then to tolerances and variations consistent with usual trade practices and testing methods. The product's performance outside of laboratory conditions, including when one or more operating parameters is at its maximum range, may not conform to the product's datasheet. Further, information in the product's datasheet does not reflect the performance of the product in any application, end-use or operating environment buyer or its customer may put the product to. Seller and its affiliates make no recommendation, warranty or representation as to the suitability of the product for buyer's application, use, end-product, process or combination with any other product or as to any results buyer or its customer might obtain in their use of the product. Buyer should use its own knowledge, judgment, expertise and testing in selecting the product for buyer's application, end-use and/or operating environment, and should not rely on any oral or written statement, representation, or samples made by seller or its affiliates for any purpose. EXCEPT FOR THE WARRANTIES EXPRESSLY SET FORTH IN THE SELLER'S TERMS AND CONDITIONS OF SALE, SELLER MAKES NO WARRANTY EXPRESS OR IMPLIED WITH RESPECT TO THE PRODUCT, INCLUDING ANY WARRANTY OF MERCHANTABILITY OR FITNESS FOR ANY PARTICULAR PURPOSE, WHICH ARE DISCLAIMED AND EXCLUDED. All sales are subject to seller's exclusive terms and conditions of sale which, where the seller is (a) RLS Merilna tehnika d. o. o., are available at <https://www.rls.si/eng/salesterms>, (b) Renishaw, Inc., are available at <https://www.renishaw.com/legal/en/-42186>, or (c) another person, are available on request, and in each case, are incorporated herein by reference, and are the exclusive terms of sale. No other terms and conditions apply. Buyer is not authorized to make any statements or representations that expand upon or extend the environmental limitations and operating parameters of the products, or which imply permitted usage outside of that expressly stated on the datasheet or agreed to in writing by seller.

RLS Merilna tehnika d. o. o. has made considerable effort to ensure the content of this document is correct at the date of publication but makes no warranties or representations regarding the content. RLS Merilna tehnika d. o. o. excludes liability, howsoever arising, for any inaccuracies in this document. © 2023 RLS d. o. o.