

# Orbis™

## Housed Through-hole Rotary Encoder

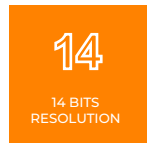
Orbis housed through-hole rotary encoder is an encoder for mounting on electric motors or other devices for measuring shaft position and speed. The solid metal housing offers high IP67 protection and high EMC immunity and best possible shock and vibration resistance. This encoder offers BiSS-C, SSI, and Analog Sin/Cos output options, making it adaptable to various control and feedback systems, ensuring precise and reliable performance.



HIGH SPEED

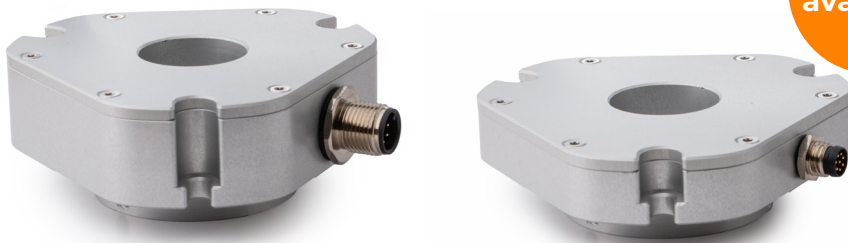


HARSH ENVIRONMENT - IP67



14 BITS RESOLUTION

Samples available



### Why choose Orbis™?

#### FEATURES:

- ✓ True absolute with 14 bit resolution
- ✓ BiSS and SSI output
- ✓ Analogue output with one sin/cos per revolution
- ✓ M12, M8 connector or cable with flying leads

#### BENEFITS:

- ✓ IP67 protection for harsh environments
- ✓ Easy installation
- ✓ Two sizes
- ✓ Built-in-self-diagnostics
- ✓ Through-hole design



MOTOR CONTROL



PAN/TILT POSITIONING



PRECISE GEAR BOX



OFF-ROAD



INDUSTRIAL AUTOMATION

RLS d. o. o.  
Poslovna cona Žeje pri Komendi  
Pod vrbami 2  
SI-1218 Komenda  
Slovenia

T: +386 1 5272100  
E: mail@rls.si

[www.rls.si](http://www.rls.si)

A RENISHAW associate company

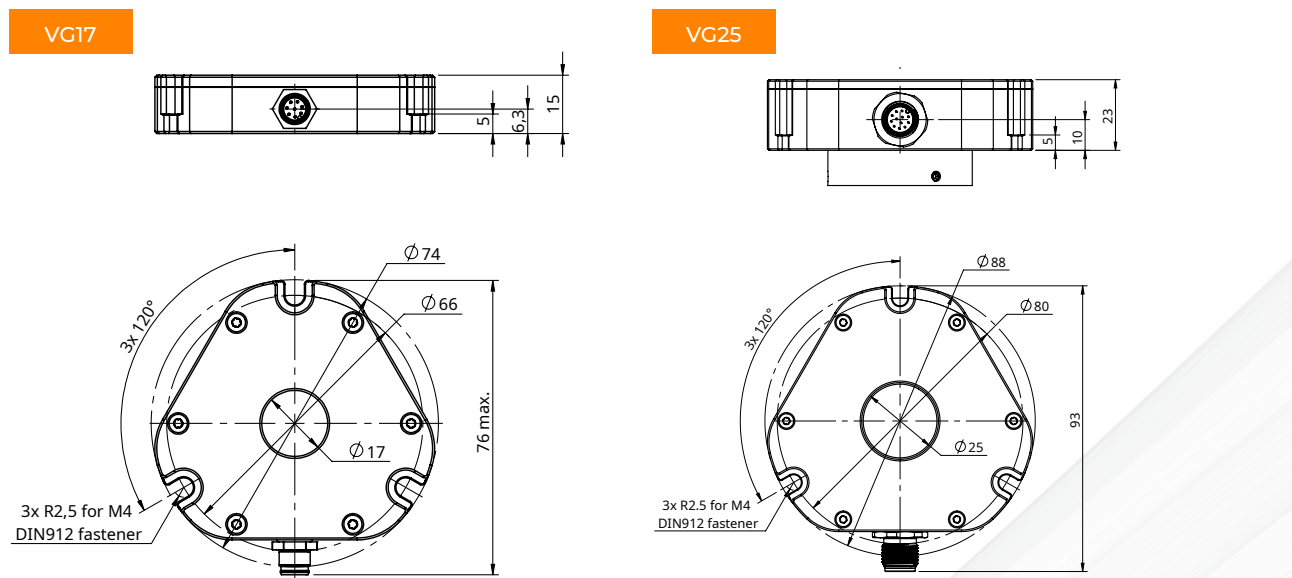
# Orbis™ technical specifications

SYSTEM DATA	
Reading type	Axial reading
Resolution	BISS / SSI: 14 bit Analogue: One sin/cos per revolution
Maximum speed	12,000 rpm (BISS C, SSI), 25 000 rpm (Analogue)
Accuracy	±0.3°(VG17), ±0.5° (VG25)
ELECTRICAL DATA	
Supply voltage	5V ±10 %
Current consumption	BISS / SSI: 65 mA typ Analogue: 30 mA typ
MECHANICAL DATA	
Magnet material	NeFeB with Ni-Cu-Ni protective layer
Housing material	Anodised aluminium
Magnetic actuator material*	Anodised aluminium
Connector	VG17: M8 or cable VG25: M8, M12 or cable
ENVIRONMENTAL DATA	
Operating and storage temperature	-20 °C to +85 °C (with connector) -30 °C to +120 °C (with cable)
Environmental protection	IP67

READHEAD	READHEAD ID / OD	COMPATIBLE MAGNET	MAGNET ID / OD / H
VG17	17 / 70 mm	BM220	22 / 32 / 4 mm
VG25	25 / 88 mm	BM300	30 / 44 / 4 mm

\* Magnetic actuator is magnet inside metal housing.

## Orbis™ dimensions



RLS d. o. o. has made considerable effort to ensure the content of this document is correct at the date of publication but makes no warranties or representations regarding the content. RLS d.o.o. excludes liability, howsoever arising, for any inaccuracies in this document. © 2024 RLS d.o.o.



RLS d. o. o.  
Poslovna cona Žeje pri Komendi  
Pod vrbami 2  
SI-1218 Komenda  
Slovenia

T: +386 1 5272100  
E: mail@rls.si  
[www.rls.si](http://www.rls.si)

A RENISHAW® associate company